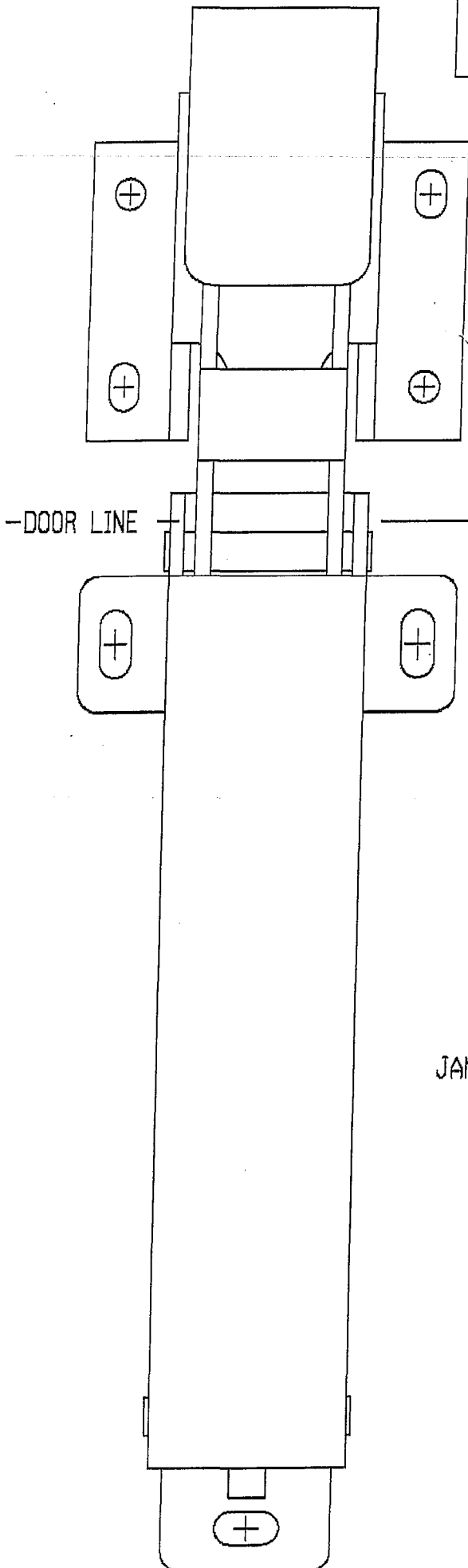




1094-3  
DOOR CLOSER  
INSTRUCTION SHEET



1. WITH DOOR CLOSED, MATCH MOUNTING TEMPLATE DOOR LINE WITH UPPER DOOR EDGE.
2. CENTER PUNCH SLOTTED HOLES ONLY.
3. DRILL CENTER PUNCHED HOLES FOR SCREWS.
4. WITH DOOR OPEN, MDUNT DOOR CLOSER AND HOOK USING SCREWS.
5. ACTIVATE LEVER ARM OF DOOR CLOSER BY PULLING ARM INTO DOWN POSITION AS SEEN IN FIGURE "A".
6. CLOSE DOOR SLOWLY, ROLLER SHOULD JUST CLEAR HOOKS OUTER LIP. (SEE FIGURE "A")
7. WHEN PROPERLY ADJUSTED, PUNCH AND DRILL REMAINING HOOK HOLES, AND FASTEN BOTH SECURELY.

FIGURE "A"

