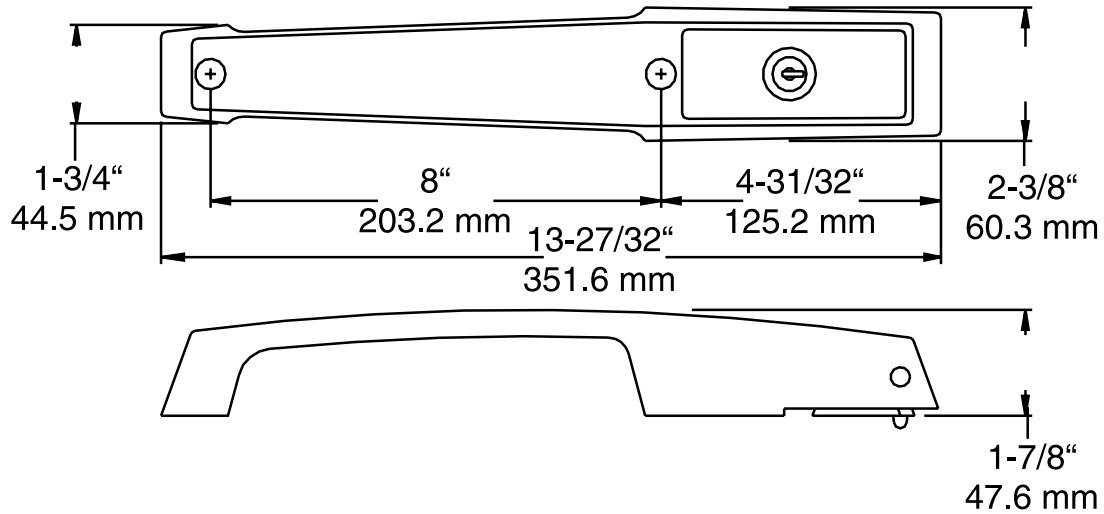


## 1238 PACESETTER LOCKING HANDLE



Model No.	Item	Finish
1238CV0005	Cylinder Locking w/Twist-off Knob Release	Smooth Surface, Polished Chrome
1238C00004	Cylinder Locking w/Twist-off Knob Release	Textured Panel, Brushed Chrome
1238C00005	Cylinder Locking w/Twist-off Knob Release	Textured Panel, Polished Chrome
1239CV0005	Cylinder Locking w/Lever Turn Release	Smooth Surface, Polished Chrome
1239C00004D	Cylinder Locking w/Lever Turn Release	Textured Panel, Brushed Chrome
1239C00005	Cylinder Locking w/Lever Turn Release	Textured Panel, Polished Chrome

PACKAGING: 12 per carton.

WEIGHT: Approx. 27 lb. (12.3 kg) per carton.