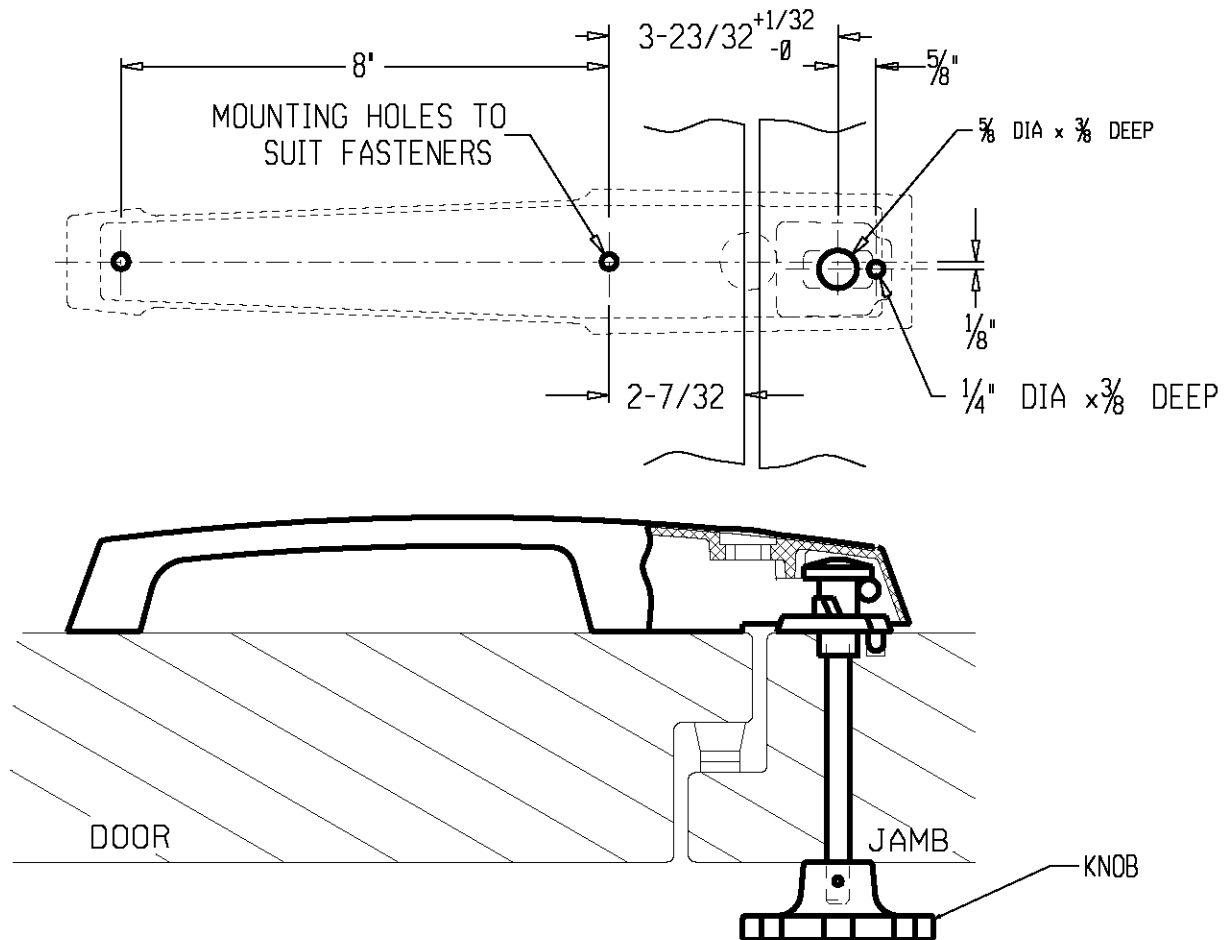




1238 HANDLE - MOUNTING INSTRUCTIONS



- 1) Mount handle on the door with the front mounting hole $2\text{-}\frac{7}{32}$ " from the door edge as shown in the figure above.
- 2) With the door closed, measure over from the front mounting hole in the handle and drill a $\frac{3}{8}$ " diameter hole thru the jamb, then enlarge the hole to $\frac{5}{8}$ " diameter x $\frac{3}{8}$ " deep. Next, drill the $\frac{1}{4}$ " diameter hole, $\frac{3}{8}$ " deep.
- 3) Insert rod thru hole and tighten to bring strike snug against jamb.
Do not over tighten knob.

IS-1238
1-29-09