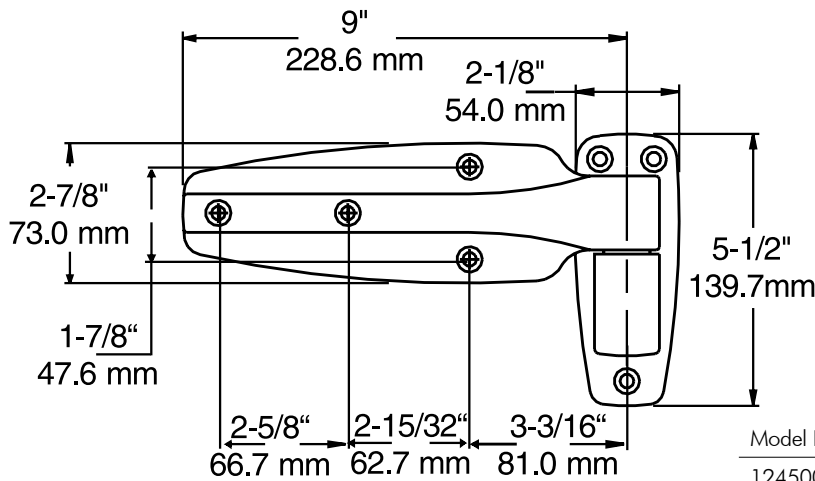


1245 REVERSIBLE CAM-RISE HINGE



| Model No. | Item | Offset | Finish |
|------------|-------|------------------|-----------------|
| 1245000004 | Hinge | Flush (0.0 mm) | Tuffkote |
| 1245000016 | Hinge | 1-1/8" (28.6 mm) | Tuffkote |
| 1245000020 | Hinge | 1-1/4" (31.8 mm) | Tuffkote |
| 1245000024 | Hinge | 1-3/8" (34.9 mm) | Tuffkote |
| 1245000052 | Hinge | 1-1/2" (38.1 mm) | Tuffkote |
| 1245000056 | Hinge | 1-5/8" (41.3 mm) | Tuffkote |
| 1245000060 | Hinge | 1-3/4" (44.5 mm) | Tuffkote |
| 1245000064 | Hinge | 1-7/8" (47.6 mm) | Tuffkote |
| 1245000028 | Hinge | Flush (0.0 mm) | Polished Chrome |
| 1245000040 | Hinge | 1-1/8" (28.6 mm) | Polished Chrome |
| 1245000044 | Hinge | 1-1/4" (31.8 mm) | Polished Chrome |
| 1245000048 | Hinge | 1-3/8" (34.9 mm) | Polished Chrome |
| 1245000068 | Hinge | 1-1/2" (38.1 mm) | Polished Chrome |
| 1245000072 | Hinge | 1-5/8" (41.3 mm) | Polished Chrome |
| 1245000076 | Hinge | 1-3/4" (44.5 mm) | Polished Chrome |
| 1245000080 | Hinge | 1-7/8" (47.6 mm) | Polished Chrome |
| 1245000082 | Hinge | 2" (50.8 mm) | Polished Chrome |
| 1245000088 | Hinge | Flush (0.0 mm) | Brushed Chrome |
| 1245000112 | Hinge | 1-1/8" (28.6 mm) | Brushed Chrome |
| 1245000116 | Hinge | 1-1/4" (31.8 mm) | Brushed Chrome |
| 1245000120 | Hinge | 1-3/8" (34.9 mm) | Brushed Chrome |
| 1245000124 | Hinge | 1-1/2" (38.1 mm) | Brushed Chrome |
| 1245000128 | Hinge | 1-5/8" (41.3 mm) | Brushed Chrome |
| 1245000132 | Hinge | 1-3/4" (44.5 mm) | Brushed Chrome |
| 1245000136 | Hinge | 1-7/8" (47.6 mm) | Brushed Chrome |
| 1245000138 | Hinge | 2" (50.8 mm) | Brushed Chrome |

PACKAGING: 3 pair per carton.

WEIGHT: Approx. 18 lb. (8.2 kg) per carton.



REVERSE HINGES IN MINUTES

1. Lift strap from flange and remove pin assembly.



2. Pop out cap. Turn strap 180°, reinsert pin assembly in strap.



3. Reposition strap into flange and replace cap.