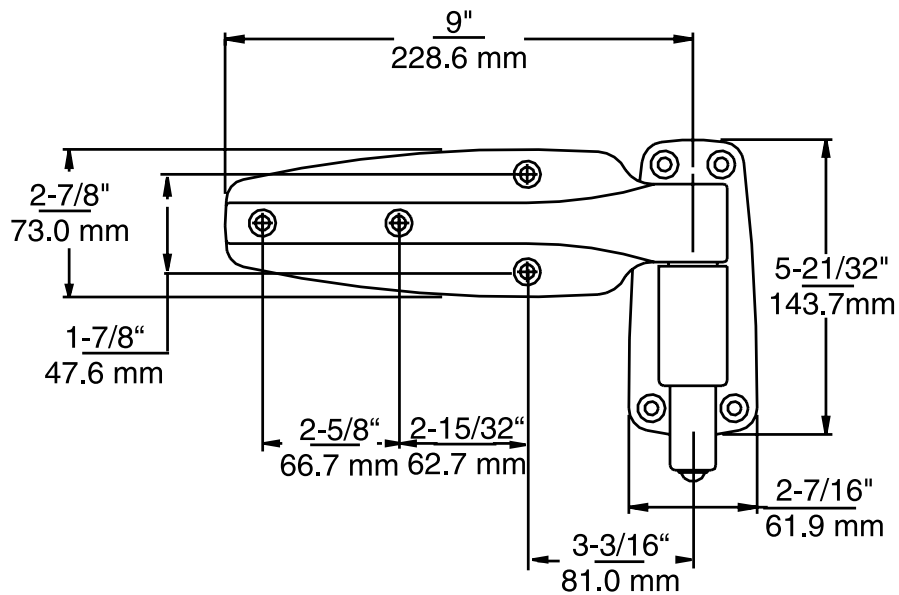


1248 SPRING ASSISTED HINGE



Model No.	Item	Offset	Finish
1248000004	Hinge	Flush (0.0 mm)	Polished Chrome
1248000016	Hinge	1-1/8" (28.6 mm)	Polished Chrome
1248000020	Hinge	1-1/4" (31.8 mm)	Polished Chrome
1248000024	Hinge	1-3/8" (34.9 mm)	Polished Chrome
1248000022	Hinge	1-1/2" (38.1 mm)	Polished Chrome
1248000025	Hinge	1-5/8" (41.3 mm)	Polished Chrome
1248000026	Hinge	1-3/4" (44.5 mm)	Polished Chrome
1248000027	Hinge	1-7/8" (47.6 mm)	Polished Chrome
1248000030	Hinge	2" (50.8 mm)	Polished Chrome
1248000028	Hinge	Flush (0.0 mm)	Brushed Chrome
1248000040	Hinge	1-1/8" (28.6 mm)	Brushed Chrome
1248000044	Hinge	1-1/4" (31.8 mm)	Brushed Chrome
1248000048	Hinge	1-3/8" (34.9 mm)	Brushed Chrome
1248000049	Hinge	1-5/8" (41.3 mm)	Brushed Chrome
1248000050	Hinge	1-3/4" (44.5 mm)	Brushed Chrome
1248000051	Hinge	1-7/8" (47.6 mm)	Brushed Chrome
1248000078	Hinge	2" (50.8 mm)	Brushed Chrome

PACKAGING: 3 pair per carton.

WEIGHT: Approx. 19.5 lb. (8.85 kg) per carton.