



1808 LED FIXTURE

- Low profile high impact Lexan globe with anti-glare technology.
- Preferred fixture for replacing inefficient lighting.
- Designed to reduce electrical usage by 85%.
- Minimal heat generation will lower utility cost.
- Exceeds Federal Energy Act Requirements
- Rated for 50,000+ hours life.
- 4000K color temperature.
- Designed for damp/wet/cooler/freezer environments.
- 5 year limited warranty on the light engine.
- LM-79 Tested.

SPECIFICATIONS

MATERIAL:
Lexan lens. Aluminum housing.

MOUNTING:
Surface mount.

ELECTRICAL:
1160 Total Lumens
90-305 VAC, 50/60 Hz.
86 Lumens/Watt
.12 Amps
Watts: 13.5 W
Power factor: 0.9
CRI 85

SAFETY STANDARDS:
RoHS
UL listed US and Canada,
File No. E333932
NSF Listed
IP-65
Energy Star Certified
Patent Applied

TEMPERATURE RATINGS:
Operating temperature:
-40°F [-40°C] to 104°F [40°C].

Model No.	Description	Weight
1180800000	14 Watt, VP, 90-305 V, LED Fixture	1.7 lbs./unit

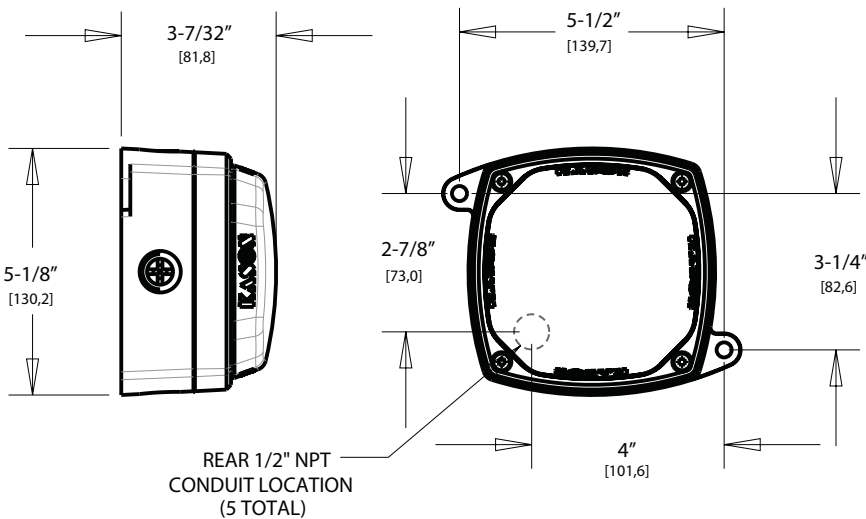
ITEM # 1808 LED FIXTURE

GreenGuard
BY KASON INDUSTRIES

APPROVED CERTIFICATIONS

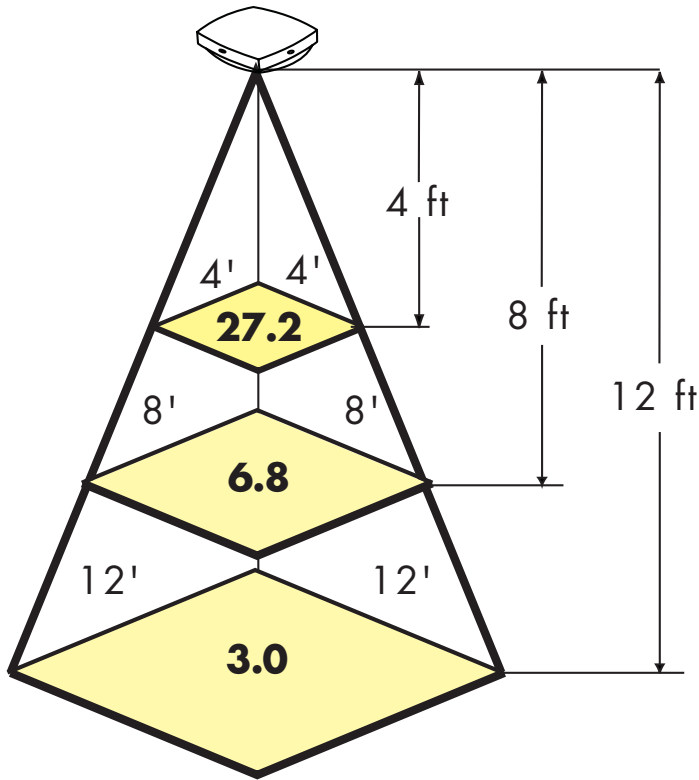


PENDING CERTIFICATIONS





1808 LED LIGHT DISTRIBUTION



Height in Feet	Average FC for Single Fixture Over Indicated Area	
	8' x 8'	12' x 12'
5	9.3	5.1
8	6.8	4.0
9	-	3.7
12	-	3.0

