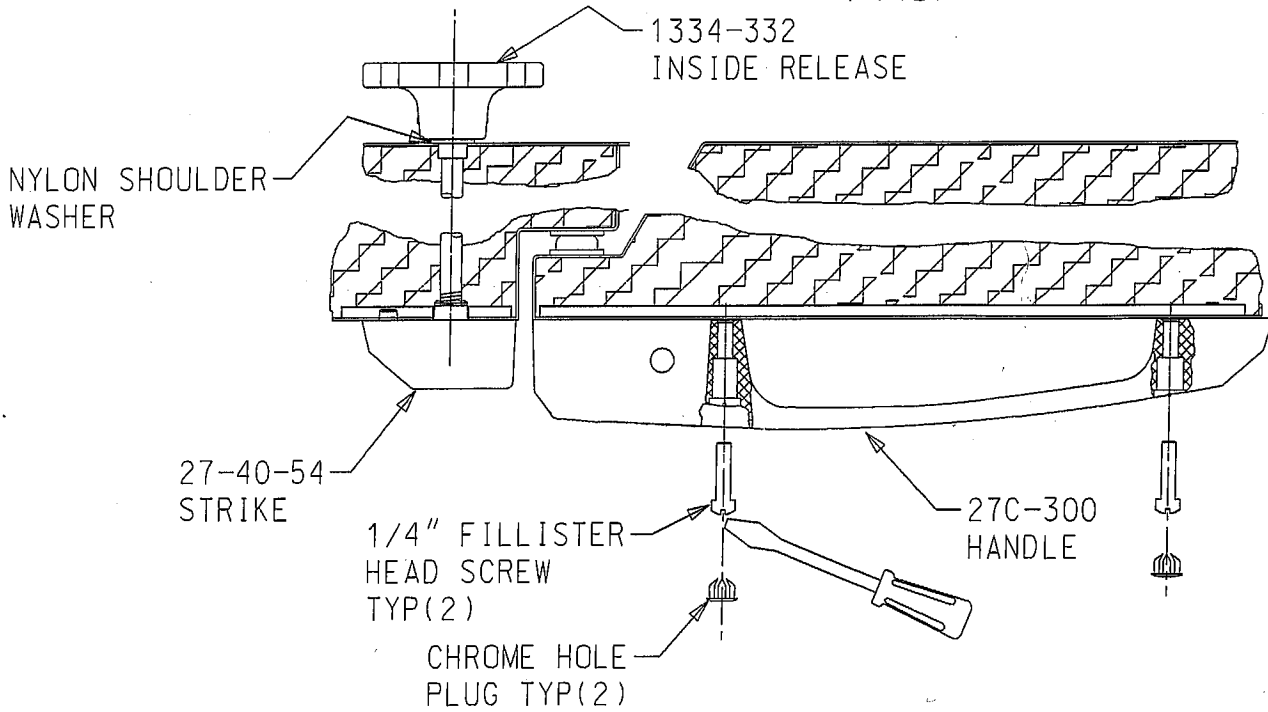
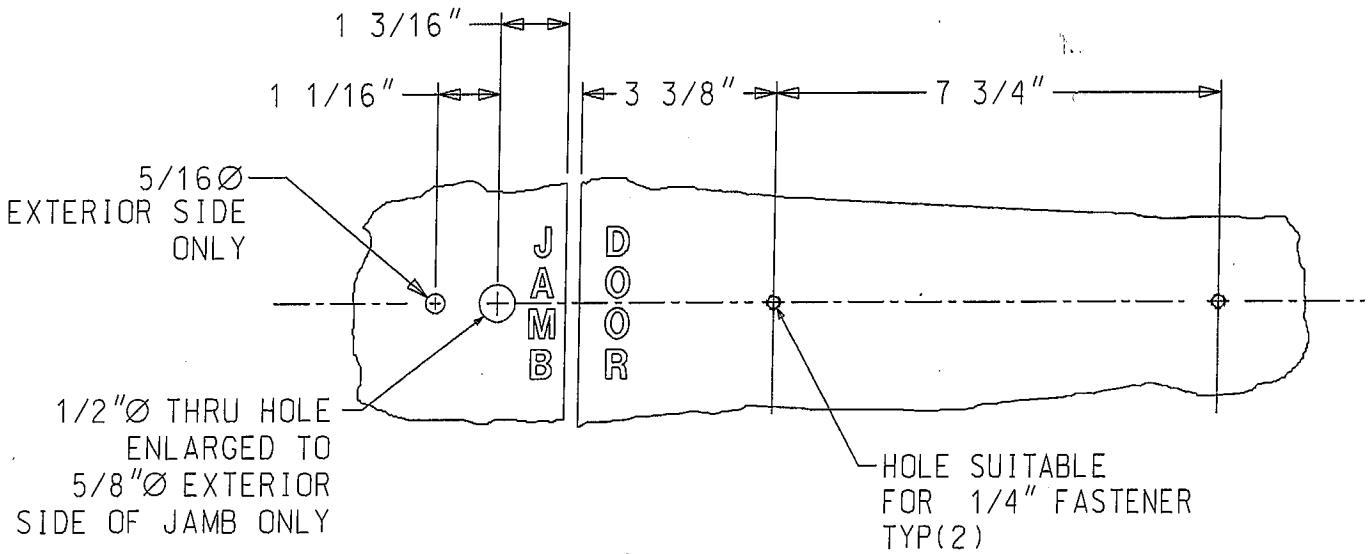
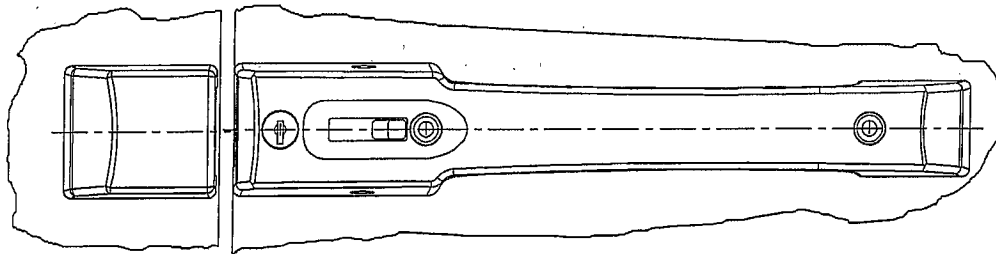




MODEL 27C-4  
SLIDE BOLT HANDLE/INSIDE RELEASE SYSTEM  
INSTALLATION INSTRUCTIONS  
FOR CYLINDER/PADLOCK-LOCKING DOORS



SUGGESTION:  
MOUNT STRIKE  
1/16" BELOW  
CENTER LINE OF  
LATCH TO ALLOW  
FOR DOOR SAG



BOLT CAN BE LOCKED IN ENGAGED OR IN DISENGAGED POSITION WITH KEY AND OR No.1 MASTER PADLOCK OR EQUIVALENT (5/16 SHANK DIA. X 23/32 BETWEEN SHANK DIMENSION)