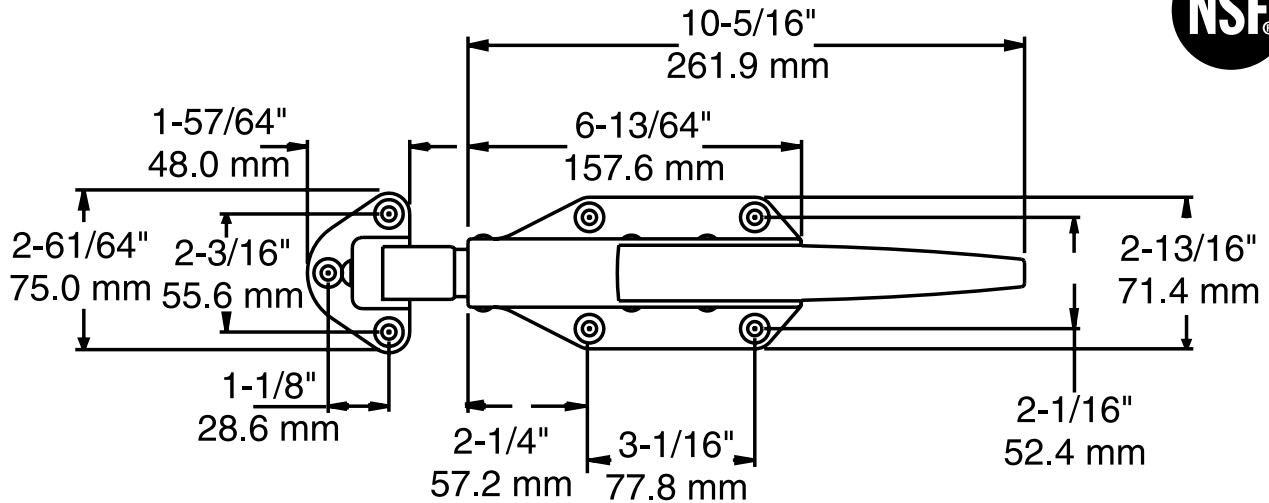


0058 RADIAL LATCH



Model No.	Item	Description
0058CH5020	Cylinder Locking Body	Heavy Spring
0058CL5020	Cylinder Locking Body	Light Spring
0058H05021	Body	Heavy Spring
0058L05021	Body	Light Spring
0058005001	Strike	-1/8" to 1/4" (-3.2 to 6.4mm)
0058005002	Strike	3/4" to 1-1/2" (19.0 to 38.1mm)
0058005003	Strike	1-3/4" to 2-1/2" (44.5 to 63.5mm)
0058005310035K	Flat Bottom Plate (Does not accept inside release handle.)	

Cylinder locks may be keyed alike or differently. Please specify.

FOR ROLLING RADIAL LATCH, ORDER NO. 0059 STRIKE, BELOW.

Model No.	Item	Description
0059005001	Roller Strike	-1/8" to 1/4" (-3.2 to 6.4 mm)
0059005002	Roller Strike	3/4" to 1-1/2" (19.0 to 38.1 mm)
0059005003	Roller Strike	1-3/4" to 2-1/2" (44.5 to 63.5 mm)

For No. 59 Latch, order strike above with No. 58 body assembly.