

# REFRIGERATION DEFROST CONTROL MODEL 6145-20

1139

CONTACT RATING  
40 Amps Res.  
2 Hp  
690 VA Pilot Duty  
208-240 VAC

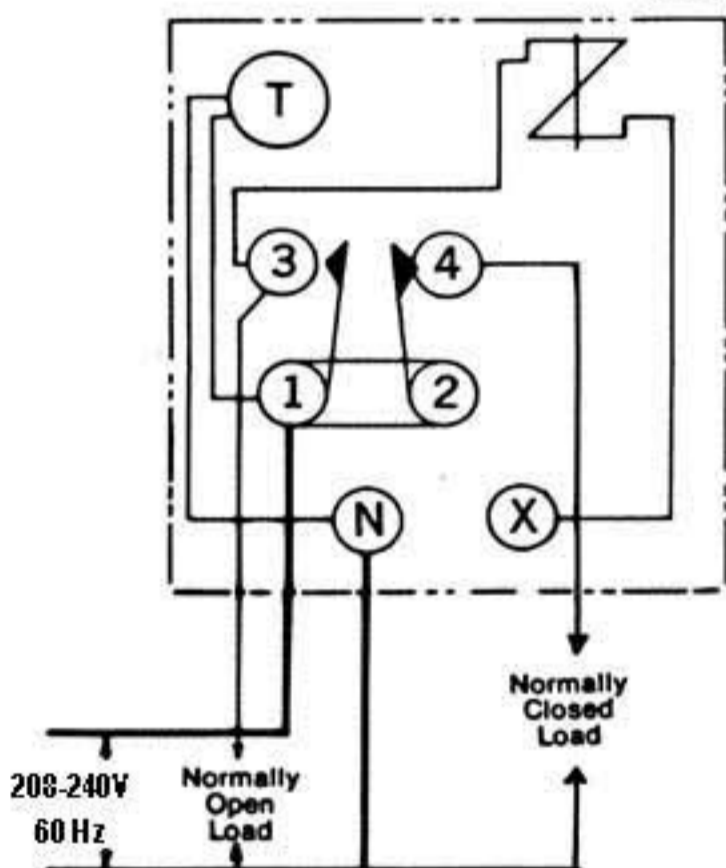
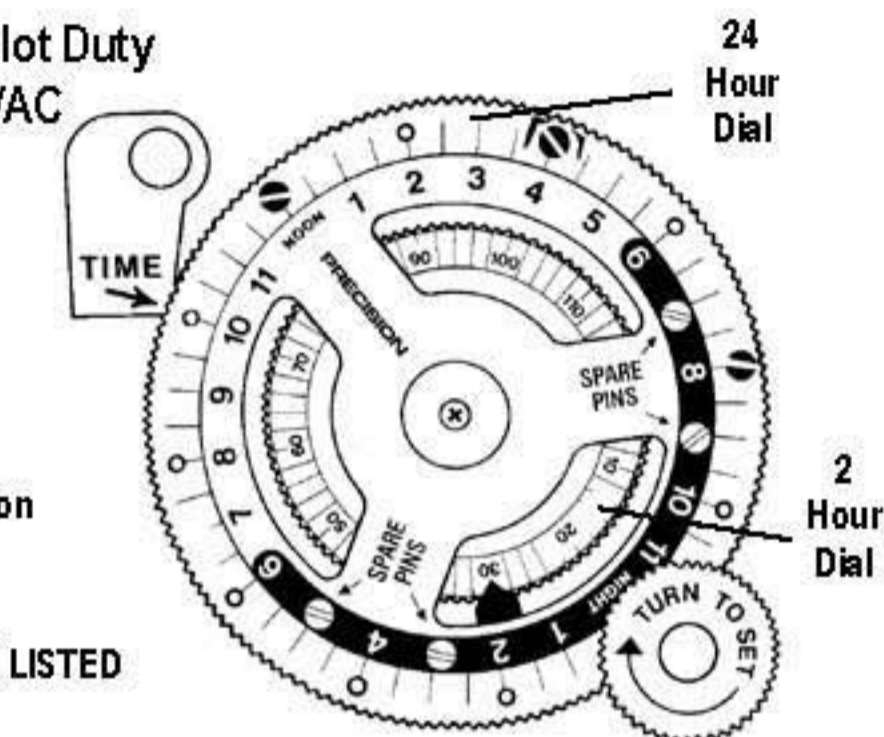
TIMING MOTOR  
208-240 V 60 Hz - 15 VA Input



Refrigeration  
Controller



728 Y



**To Set:** Screw pins into dial at time defrost is desired. (Four hours minimum time between pins.)

Depress and rotate bronze pointer on inner dial to the length of defrost desired.

Rotate small knob clockwise until time of day on large dial is opposite time pointer.

**To Wire:** Wire according to wiring diagram and conform to wiring codes.

## PRECISION

PRECISION MULTIPLE CONTROLS, INC.

33 GREENWOOD AVENUE • MIDLAND PARK, NJ 07432

201-444-0600 • FAX: 201-445-8575 • [www.precisionmulticontrols.com](http://www.precisionmulticontrols.com)

CANADA: MISSISSAUGA, ONTARIO