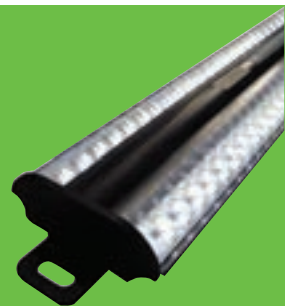




Quanta StarFire LED

Efficient Low-Current LED



Quanta StarFire LED

Easy Install with
Integrated Driver

Self-contained Power Supply - No separate driver or ballast necessary.
Efficient Low-Current LED - Solution for high lumens per watt.

4100K

Part Number	Nominal Length	Actual Length	Wattage	Amp* rating
60-18331-0003	48"	45.35"	15.3 W	0.13
60-18331-0001	60.0" Standard	56.25"	14.9 W	0.12
60-18331-0004	60.0" Extended	64"	17.5 W	0.14
60-18331-0002	72.0" Standard	67.15"	18 W	0.15
60-18331-0005	72.0" Extended	72"	20 W	0.16

5000K

Part Number	Nominal Length	Actual Length	Wattage	Amp* rating
60-19372-0001	48"	45.35"	15.3 W	0.07
60-19372-0002	60.0" Standard	56.25"	15.9 W	0.06
60-19372-0004	60.0" Extended	64"	17.5 W	0.08
60-19372-0003	72.0" Standard	67.15"	18 W	0.08
60-19372-0005	72.0" Extended	72"	20 W	0.09

4100K

Part Number	Nominal Length	Actual Length	Wattage	Amp* rating
60-18333-0003 (Right)	48.0"	45.35"	7.5 W	0.06
60-18332-0003 (Left)				
60-18333-0001 (Right)	60.0" Standard	56.25"	7.5 W	0.06
60-18332-0001 (Left)				
60-18333-0004 (Right)	60.0" Extended	64"	9.0 W	0.07
60-18332-0004 (Left)				
60-18333-0002 (Right)	72.0" Standard	67.15"	9.0 W	0.07
60-18332-0002 (Left)				
60-18333-0005 (Right)	72.0" Extended	72"	10 W	0.09
60-18332-0005 (Left)				

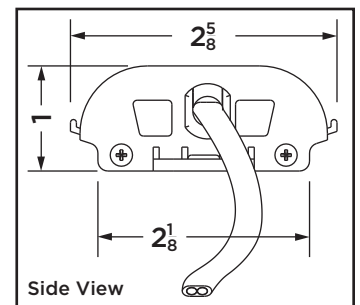
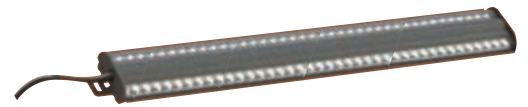
5000K

Part Number	Nominal Length	Actual Length	Wattage	Amp* rating
60-19370-1001 (Left)	48.0"	45.35"	7.5 W	0.06
60-19371-1001 (Right)				
60-19370-0001 (Left)	60.0" Standard	56.25"	7.5 W	0.06
60-19371-0001 (Right)				
60-19370-0004 (Left)	60.0" Extended	64"	9.0 W	0.07
60-19371-0004 (Right)				
60-19370-0002 (Left)	72.0" Standard	67.15"	9.0 W	0.07
60-19371-0002 (Right)				
60-19370-0005 (Left)	72.0" Extended	72"	10 W	0.09
60-19371-0005 (Right)				

Meets NSF, UL 1598 and Class A FCC Title 47, Sub part B, Section 15.



Center Mullion



End Jamb Left and Right

