



Optimax Pro 24 LED

The Professional Choice for Illumination

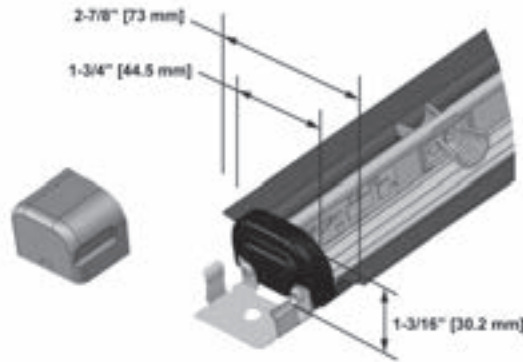


Optimax Pro 24 LED Light Fixture Specifications

Anthony's Optimax Pro 24 LED provides highly uniform illumination with patent-pending coined optic.

With up to 75% energy savings versus fluorescent lighting, the Optimax Pro 24 LED is perfect for retrofits.

Center Fixtures

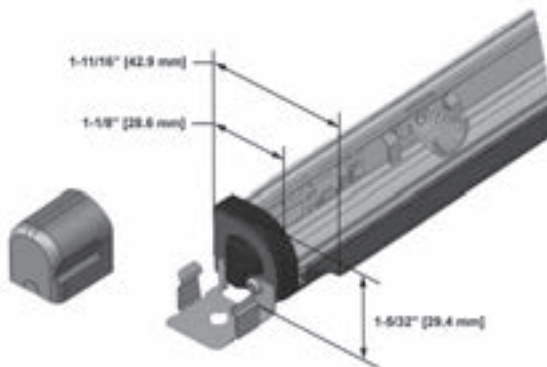


Fixture Specifications

- Voltage, 24VDC
- Color Rendering Index (CRI), 85 typical
- L70 life, 50,000 hours
- 5-year limited warranty

Nominal size	48" Low Power	48" High Power	60" Low Power	60" High Power	72" Low Power	72" High Power
Part Number 4000K	60-19295-0003	60-18898-0003	60-19295-0001	60-18898-0001	60-19295-0002	60-18898-0002
Length (in/mm) "X"	45-3/16 (1223)	45-3/16 (1223)	61-3/16 (1554)	61-3/16 (1554)	68-3/16 (1732)	68-3/16 (1732)
Luminous flux (lumens)	710	900	1000	1290	1030	1366
Illuminance (lux)	825	1100	825	1100	825	1100
Power (w)	14	18	18	22	18	24

End Fixtures



Driver Specifications

- UL Class 2 low voltage
- Input 120-240VAC, 50/60 Hz
- Output, 24VDC, 100w max

Illuminance (lux) +/-15%.
Information provided is subject to change without notice. All values are design or typical values when measured under laboratory or store conditions.

Nominal size	48" Low Power	48" High Power	60" Low Power	60" High Power	72" Low Power	72" High Power
Part Number 4000K L 4000K R	60-19296-0003 60-19296-1003	60-18899-0003 60-18899-1003	60-19296-0001 60-19296-1001	60-18899-0001 60-18899-1001	60-19296-0002 60-19296-1002	60-18899-0002 60-18899-1002
Length (in/mm) "X"	45-3/16 (1223)	45-3/16 (1223)	61-3/16 (1554)	61-3/16 (1554)	68-3/16 (1732)	68-3/16 (1732)
Luminous flux (lumens)	400	490	500	660	500	690
Illuminance (lux)	825	1100	825	1100	825	1100
Power (w)	7	9	9	11	9	12

