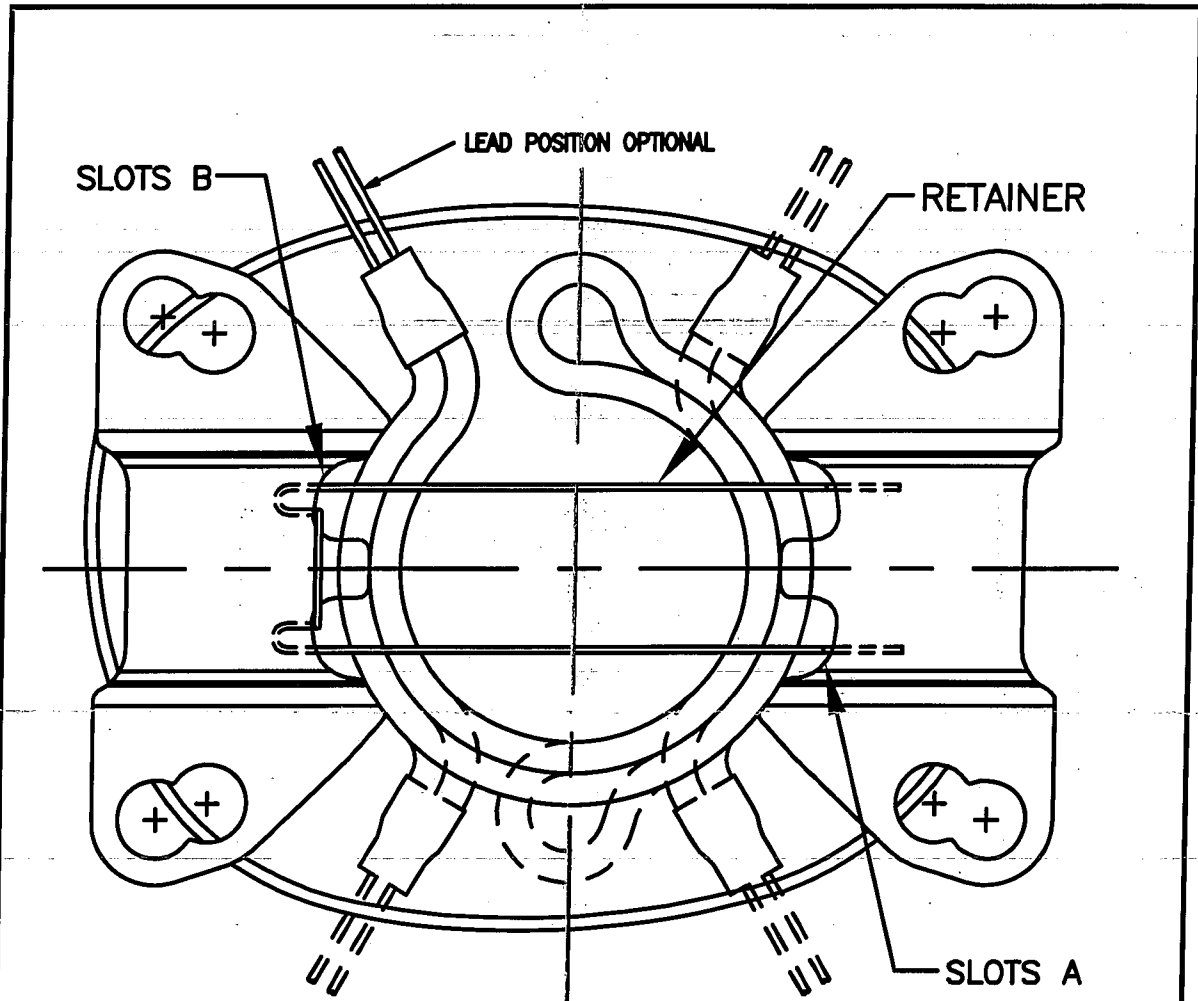


# Crankcase Heater Mounting Instructions for "RST" Compressors

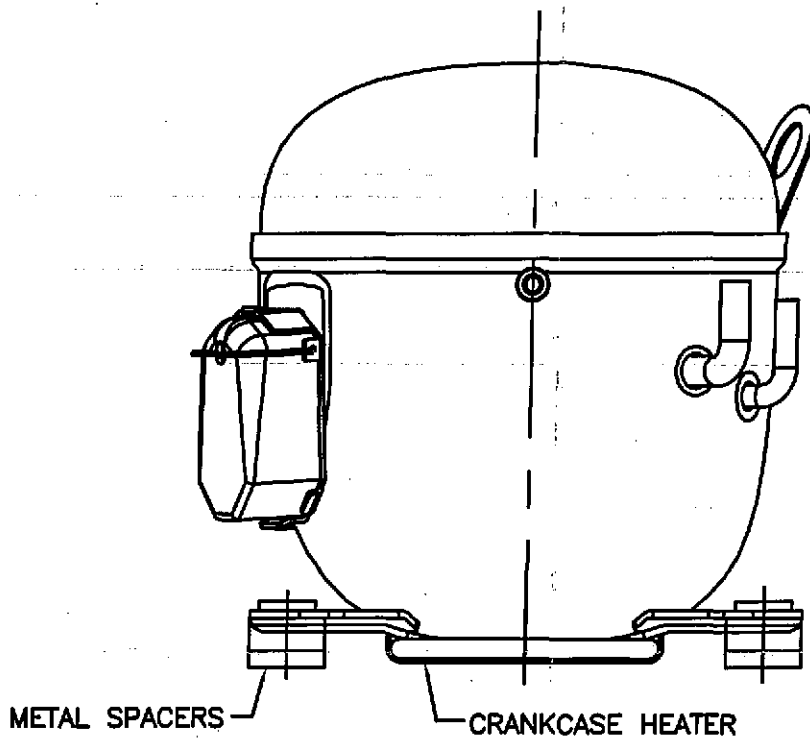


CAUTION: DO NOT TURN COMPRESSOR UPSIDE DOWN.  
LAY COMPRESSOR ON SIDE OPPOSITE SERVICE TUBE CONNECTIONS.  
POSITION CRANKCASE HEATER LEADS AS NEEDED AND INSERT CLOSED  
END OF STAINLESS STEEL RETAINER IN SLOTS "A" OR "B".  
SLIDE RETAINER INTO SLOTS UNTIL IT STOPS.  
INSERT OPEN END OF RETAINER INTO THE REMAINING SLOTS AND SLIDE  
RETAINER UNTIL IT STOPS OR SPRINGS INTO PLACE.  
NOTE: MOUNTING PARTS SHIPPED WITH CRANKCASE HEATER KIT  
MUST BE INSTALLED. INSERT METAL SPACERS BELOW MOUNTING PARTS.

052-2288-00

9-07

# Mounting Spacer Installation for "RST" Compressors



**MOUNTING INSTRUCTIONS:**  
WHEN INSTALLING CRANKCASE HEATER. INSERT METAL SPACERS BELOW MOUNTING GROMMENTS.

**NOTE:** MOUNTED HEIGHT OF COMPRESSOR INCREASES BY 0.25 INCHES.