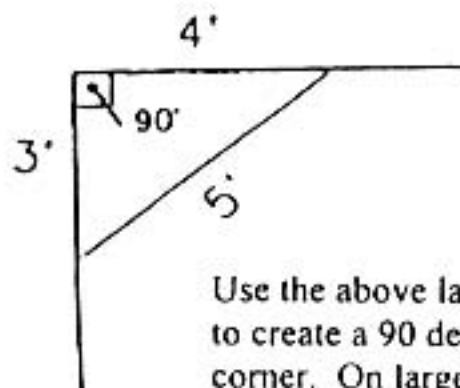
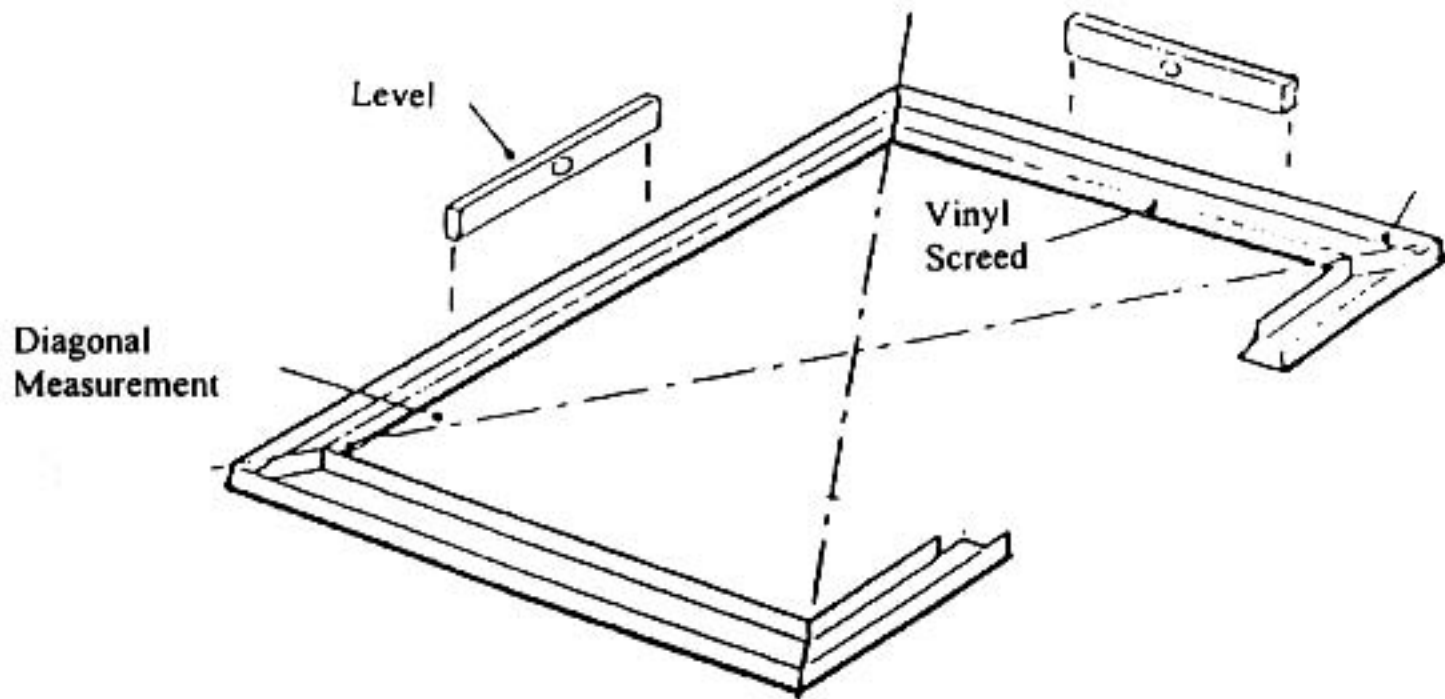
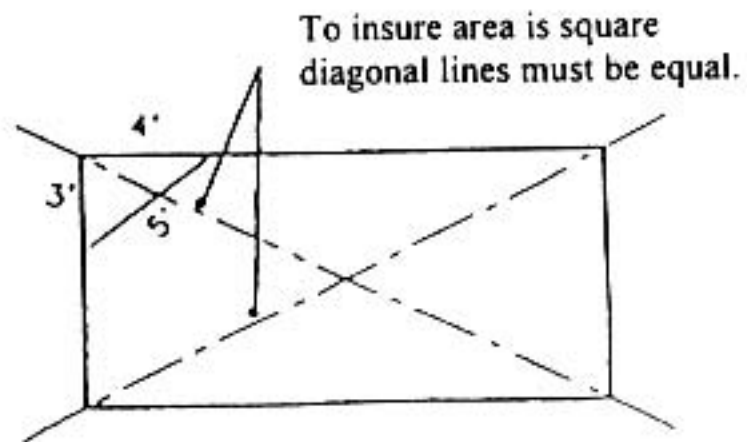


Shows the layout of the vinyl screed. Lay a bead of caulk around the inside of your chalk line. Set the screed around the chalk line, leveling and shim as necessary. Locate the door section from the installation drawings. Cut out the screed for the door opening plus 4". Fasten to floor as indicated. Please note: vinyl screed must be square and level.

To attach the screed, use concrete nails or equivalent (not provided). Fasten screed 12" from end and at 24" centers. Caulking needs to be used between screed and floor. For freezer walk-ins, be sure to caulk inside edge only. Installer must provide an air tight seal between building floor and screed.



Use the above layout to create a 90 degree corner. On larger layouts change the ratio to 6'-8'-10' or 15'-20'-25'



Diagonal Measurement Plan