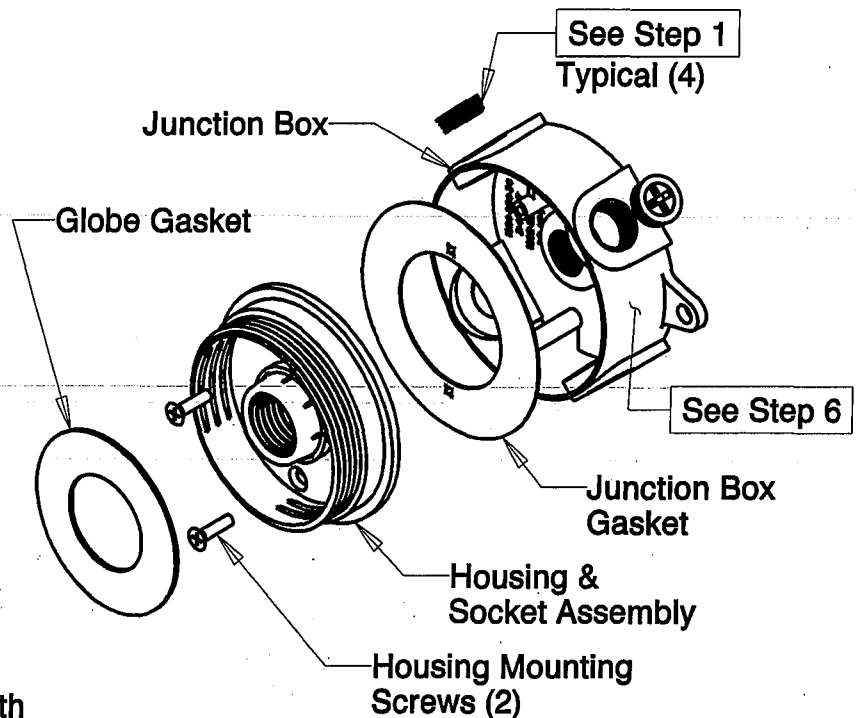


KASON INDUSTRIES, INC

Model 1802, 1803 & 1804 Series Light Fixture

Installation Instructions:

1. Junction box supplied with five holes for attachment of conduit. Determine which holes will be used and in the remaining holes insert the supplied hole plugs using silicone sealant.
2. Mount the junction box to the walk-in with sheet metal screws, molly anchors, or other suitable fasteners.
3. Feed supply wires from conduit thru junction box and it's gasket. Secure them to the #6 terminals on the socket assembly - BLK to Brass Screw, WHT to Nickel screw, or to provided leads BLK to BLK and WHT to WHT. A #8 grounding screw is provided in the junction box (not shown).



4. Mount Housing and Socket Assembly with Gasket in place to the Junction Box using supplied Screws.
5. Insert Globe Gasket over Socket into Housing.
6. Install **100W MAX** Incandescent lamp. On model 1803 with plastic globe affix **75W Max** Label and install a 75W Incandescent lamp if mounted to the wall. *
7. Screw a globe into housing and hand tighten.

NOTE: GLOBE MUST BE IN PLACE ON FINAL ASSEMBLY

⚠ WARNINGS & CAUTIONS

- A. Installation must comply with Local and National Electric Codes. The manufacturer assumes no responsibility for improper installation, or application of this lighting fixture.
- B. All supply wires must be rated for 125° C.
- C. Turn off all electricity before installation. Electricity should be turned off prior to servicing.
- D. This FIXTURE MUST BE GROUNDED.
- E. Sealing of wire opening(s) is necessary to prevent condensation from forming and water collection inside the fixture. Failure to properly seal fixture will VOID warranty.
- F. Use 18-14 AWG, copper, or copper clad wire rated 125° C.
- G. Sockets provided with #6 screws are intended for 15A circuits. Sockets with #8 screws, or if provided with leads are intended for 20 A circuits.

***NOTICE**

Lamp wattage requirements stipulated in the Energy Independence and Security Act of 2007 may require that these products be used in conjunction with a timed switch such as KASON Model 1901000005 Motion Sensor.
For additional information contact your local KASON representative at (800)-93-KASON.