

STANDARD FLUSH MOUNT PLUG DOOR WITH FRAME

STANDARD DOOR SIZE = 34"Wx76"H
OTHERS AVAILABLE UP TO 60"Wx94"H

ROUGH OPENING = 38 3/4"x 78 5/8"

FINISH:
26GA. STUCCO GALVANIZED STEEL,
GALVALUME, PAINTED(WHITE OR TAN)
OR 24GA STAINLESS STEEL

INSULATION:
R-32 EXTRUDED

HINGE DIRECTION:
RIGHT OR LEFT

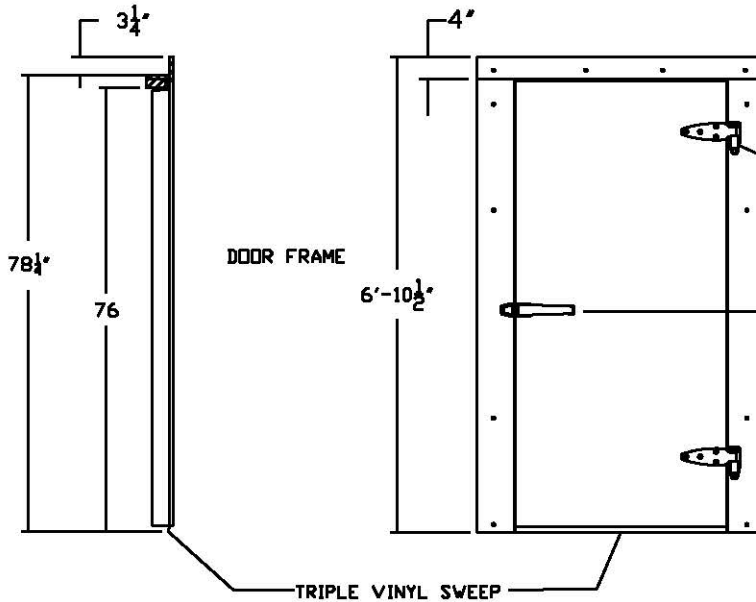
HEATER WIRE
INCLUDED IN FREEZER APPLICATIONS.

FRAME IS OVERLAP
DOOR IS FLUSH MOUNT

CAMLIFT HINGES
BRUSHED CHROME
FINISH
2 PER STANDARD
DOOR

PLUG DOOR HANDLE
W/SAFETY RELEASE
ACCEPTS PADLOCK
BRUSHED CHROME OR CHROME
FINISH

TRIM: 2"x2" ANGLE WITH HEMMED EDGES
(2) 80 5/8"L, (1) 42 3/4"L



CONFIDENTIAL
PROPRIETARY

325 PAYSON AVE. • QUINCY, IL 62301	
TEL 217-226-2421 • 800-521-2885 • FAX 217-226-2424	
DATE	DRAWN
2004	J.R.

STANDARD OVERLAP PLUG DOOR WITH FACE CASE FRAME

STANDARD DOOR SIZE = 34"Wx76"H
OTHERS AVAILABLE UP TO 60"Wx94"H
ROUGH OPENING = 34"x76"

FINISH:
26GA. STUCCO GALVANIZED STEEL,
GALVALUME, PAINTED(WHITE OR TAN)
OR 24GA STAINLESS STEEL

INSULATION:
R-32 EXTRUDED

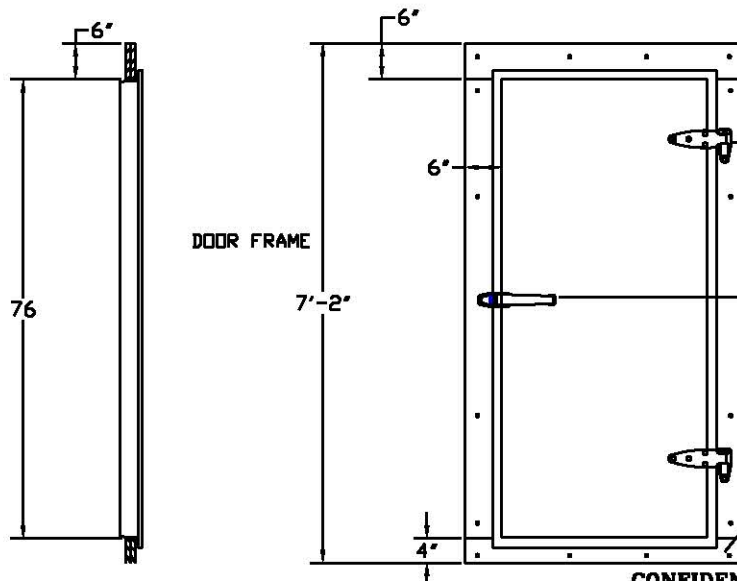
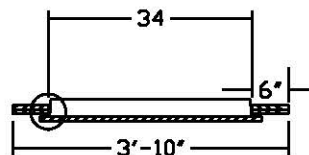
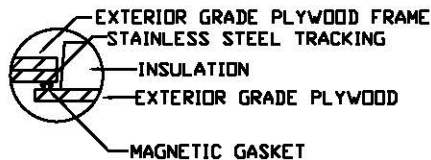
HINGE DIRECTION:
RIGHT OR LEFT

HEATER WIRE
INCLUDED IN FREEZER APPLICATIONS.

CAMLIFT HINGES
2 PER STANDARD
DOOR
CHROME FINISH

PLUG DOOR HANDLE
W/SAFETY RELEASE
ACCEPTS PADLOCK
CHROME FINISH

4" SILL (TRIPLE VINYL
SWEEP INCLUDED IN
FLOORLESS APPLICATION)



CONFIDENTIAL
PROPRIETARY

325 PAYSON AVE. • QUINCY, IL 62301	
TEL 217-226-2421 • 800-521-2885 • FAX 217-226-2424	
DATE	DRAWN
2004	J.R.