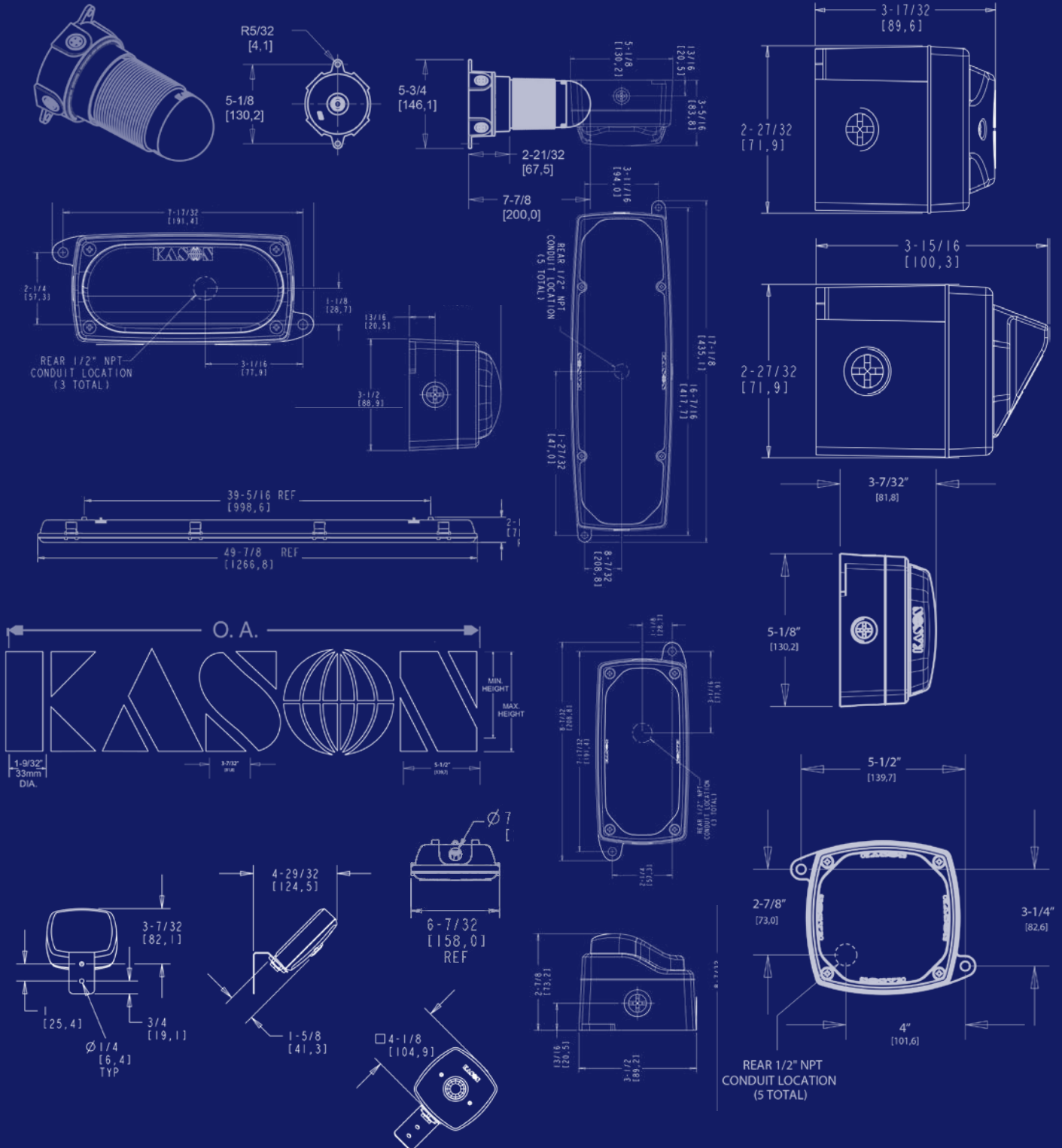




LIGHTING & ELECTRICAL

Where Precision Design Meets Specialty Manufacturing





THE KASON MISSION:

TO PROTECT YOUR PRODUCT INTEGRITY

Our customers go to great lengths to build top-of-the-line coolers, freezers, foodservice equipment, industrial enclosures and delivery vans. Our goal is to preserve your product integrity by providing the highest quality door hardware and accessories for both original equipment and replacement applications.

End users need to protect products and processes, and lower operating costs. Their first line of defense is stable, airtight enclosures with doors that open with ease and close securely.

Since 1926, Kason has promised and delivered just that. Kason's extensive lines of walk-in and reach-in door hardware satisfy the most demanding requirements. Demonstrate the value of your products with the most innovative, dependable and longlasting hardware in the business.

RESEARCH AND TESTING

Every Kason product must fulfill our customers' requirements. Before we develop a new product, we research the needs of both our industry and end users. We are never satisfied with the status quo. Our dedicated research and development staff continually search for pioneering design concepts. They insist on engineering integrity, extensive product testing and precise, in-line quality control. That is how we have developed such successful and trustworthy products as SafeGuard® inside releasing safety latches, Pacesetter handles and hinges, stainless steel hinges and latches and truck door handles with removable cylinder locks.

CREATIVE CONCEPTS

Leading equipment manufacturers turn to Kason when they want a unique look of their own. We will adapt a stock product, design custom hardware or partner with your design engineers to develop a signature appearance just for your products. Building special and customized hardware is routine at Kason.

QUALITY

Kason production facilities boast state-of-the-art installations, featuring fully automated die-casting, polishing and electroplating, as well as a full range of electronically controlled and robotic machinery. We require the finest raw materials, accurate machine tolerances and the highest level of finishing. Skilled, experienced people maintain the Kason tradition of production excellence. Our unremitting commitment to superior manufacturing assures you consistently high quality products at the lowest possible cost. Quality assurance is integrated into every step of Kason operations – from engineering research and development through packaging and shipping.

SERVICE

The lifeline to all your foodservice needs is our efficient and friendly Customer Service Department. A representative can quickly track product availability or the status of your order with our computerized inventory and order control system. Count on dependable global delivery as we serve you from Kason distribution centers in the continental United States and Canada as well as through authorized distributors throughout the world.

OUR PROMISE

Satisfying your needs is our top priority. That is why Kason supplies you with hardware and accessories that reflect the same quality you demand in your own products. We strive to demonstrate an attitude that makes you want to do business with us. At Kason we offer a tradition of excellence, a philosophy of innovation and the most trusted name in specialty commercial hardware.

KASON CONTACTS

USA SALES & DISTRIBUTION CENTERS

1.800.93KASON (800.935.2766)

KASON INDUSTRIES, INC. GLOBAL HEADQUARTERS

57 Amlajack Boulevard | Newnan, GA 30265-1015, USA
866.231.2157 | FAX: 770.251.4854
Info@kasonind.com

KASON FOODSERVICE DIVISION

31 Amlajack Boulevard | Newnan, GA 30265-1015, USA
866.231.2157 | FAX: 770.252.8397
FoodService@kasonind.com

KASON INTERNATIONAL DIVISION

57 Amlajack Boulevard | Newnan, GA 30265-1015, USA
770.304.3000 | FAX: 770.251.4854
International@kasonind.com

KASON VINYL DIVISION

31 Amlajack Boulevard | Newnan, GA 30265-1015, USA
678.423.0722 | FAX: 770.252.8397
Vinyl@kasonind.com

KASON CANADA BRANCH

226 Industrial Pkwy North, Unit 2
Aurora, Ontario, L4G 4C3, Canada
905.713.6515 | FAX: 905.713.6518
Canada@kasonind.com

KASON CENTRAL BRANCH

8889 Whitney Drive | Lewis Center, OH 43035-7106, USA
740.549.2100 | FAX: 740.549.0701
Central@kasonind.com

KASON MID-AMERICA BRANCH

1239 Atlantic Avenue | Kansas City, MO 64116-4141, USA
816.472.7450 | FAX: 816.472.8580
MidAmerica@kasonind.com

KASON WESTERN BRANCH

1500 East Wooley Road, Suite E
Oxnard, CA 93030-7385, USA
805.247.1088 | FAX: 805.247.1164
Western@kasonind.com



CONTENTS

REFRIGERATION LIGHTING

Vapor Proof Fixtures	E4 - 5
Compact Fluorescent Fixtures	E6 - 7
Greenguard LED Lighting	E8 - 25, E28
High Efficiency Fluorescent, 48"	E26 - 27
Motion Sensor.....	E29

REACH-IN LIGHTING E30

CANOPY LIGHTING E24 - 25, E31 - 32

HIGH EFFICIENCY EVAPORATORS E33

WIRING DEVICES

Switches, Receptacles & Cover Plates.....	E34 - 35
Electrical Boxes and Cover Plates.....	E35

THERMOMETERS

Vapor Tension.....	E36
Solar Digital.....	E37

TEMPERATURE AND LIGHTING PANELS

Temperature Displays.....	E38 - 39
Additional Modules.....	E40 - 41

SPECIALTY ACCESSORIES

Heater Cable Thermostat.....	E37
------------------------------	-----

KASON PRODUCT LINES

- REACH-IN COOLERS, FREEZERS, OVENS & WARMERS
- WALK-IN COOLERS, FREEZERS & TEST CHAMBERS
- FOODSERVICE EQUIPMENT & CANOPY HOODS
- TRUCK BODIES
- PANELock™ PANEL FASTENERS
- DOORWARE® SLIDING DOOR OPERATING SYSTEMS
- LIGHTING, ELECTRICAL & THERMOMETERS
- THERMALFLEX® VINYL STRIP CURTAINS & SWING DOORS
- CASTERS & CASTER LEGS

ITEM

PAGE

0660.....	E33
EODT.....	E37
OHTC.....	E37
1100	E35
1801 Fixture	E31
1801 Lamp	E32
1801 Wire Guard.....	E31
1802 LED.....	E20 - 19
1802LG	E4 - 5
1802NL.....	E28
1803 Fixture.....	E20 - 21
1803LG	E4 - 5
1804LG	E4 - 5
1805	E30
1806 Fixture.....	E20 - 21
1806 Vapor-Proof Fixture	E6 - 7
1807LC.....	E8 - 9
1807LW.....	E8 - 9
1808	E10 - 11
1808FM	E12 - 13
1808NM.....	E12 - 13
1809	E14 - 15
1810EZ.....	E26 - 27
1810LC.....	E18 - 19
1810LX4000.....	E16 - 17
1820.....	E22 - 23
1815.....	E24 - 25
1901A.....	E29
1908	E35
1967 Series.....	E38 - 41
7317.....	E34
DTS-4	E37
DTT.....	E36
EEA-000S8.....	E34
EEA-00277	E34
EEA-00294.....	E34
EEA-00827	E34
EEA-00877	E34
ELE-00008.....	E37
ELE-00050.....	E35
ELE-00500.....	E35
ELE-00750	E35
ELE-00RB1	E35
ELE-01000	E35
ELE-00100	E34
ELE-00101	E34
ELE-00102	E34
ELE-00104.....	E34
TM	E36

INCANDESCENT REFRIGERATION LIGHTING



KASCALC™ LIGHTING ESTIMATOR SERVICE

- Convenient, computerized lighting estimate service
- Especially for OEM's and industrial designers
- Simplifies layout and selection of Kason lighting fixtures
- Includes photometric data and grid plans
- Contact your Kason representative to order your KasCalc™ plan



ITEM # 1802 LG, SHOWN WITH 1802-2 WIRE GUARD



ITEM # 1803 LG



ITEM # 1804 LG



ECONOMICAL VAPOR PROOF FIXTURES FOR WALK-IN COOLERS AND FREEZERS

- Fully gasketed and enclosed to minimize effects of temperature extremes
- Junction box has two tabs for surface mounting
- Base tapped on four sides and top to accept standard 1/2" (12.7 mm) conduit
- Four threaded plugs provided to seal unused conduit openings.
- Ground screw provided

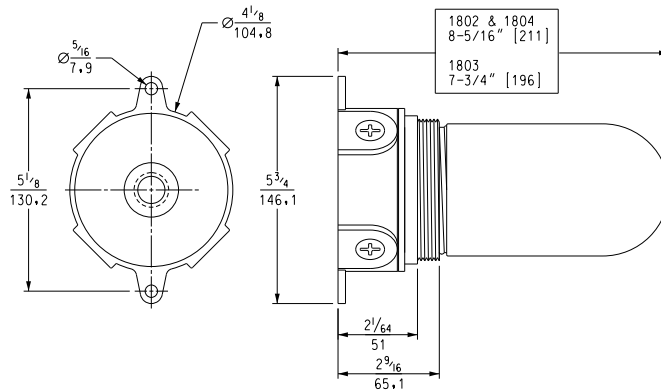
SPECIFICATIONS

MOUNTING:
Surface mounts; drilled for two mounting screws. Five conduit ports accept 1/2" pipe thread (3/4" thread special order).

UL LISTING:
File No. E57013

MATERIAL:
Cast aluminum box, housing and plugs; chrome-plated steel wire guard. Globe as specified in ordering information.

PACKAGING/WEIGHT:
See order information



Model No.	Item	Lamp Accepted (not included)	Qty/ Carton	Wgt/ Carton
1180200001	Glass Globe	-	25	24 lb. (10.9kg)
1180200002	Wire Guard Chrome	-	50	22 lb. (10.0kg)
1180200003	Junction Box	100W Max.	25	25 lb. (11.3kg)
11802LG0000	Vaporproof Fixture with Glass Globe	100W Max.	25	69 lb. (31.3kg)
1180300001	Lexan Globe	-	25	6 lb. (2.7kg)
1180300003	Junction Box	75W Max.	25	25 lb. (11.3kg)
11803LG0000	Vaporproof Fixture with Lexan Globe	75W Max.	25	37 lb. (16.7kg)
1180400001	Glass Globe	-	25	24 lb. (10.9kg)
11804LG0000	Vaporproof Fixture with Coated Globe	100W Max.	25	69 lb. (31.3kg)

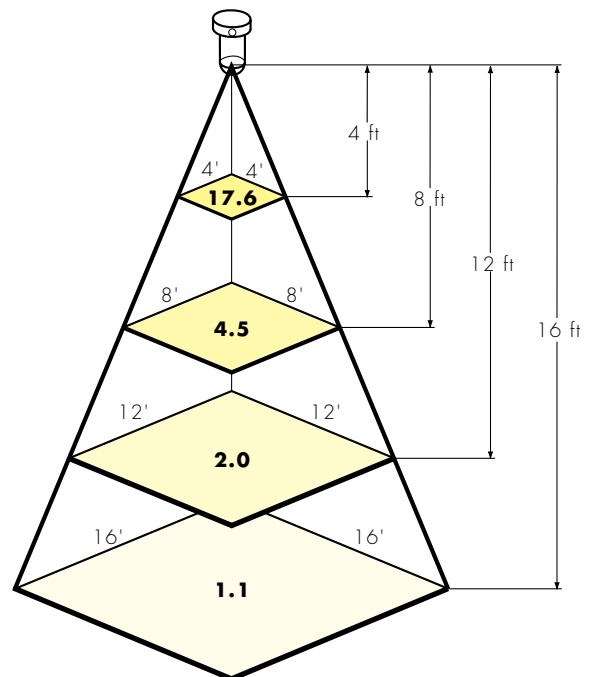
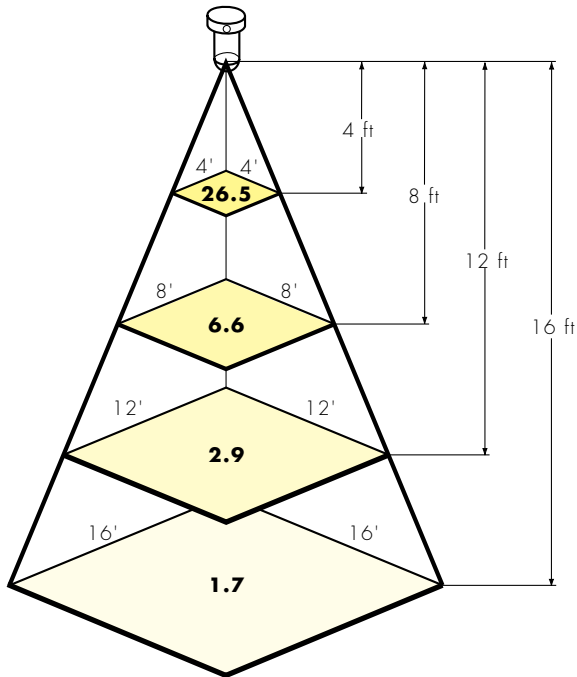
CONTINUED ON FOLLOWING PAGE

CONTINUED FROM PREVIOUS PAGE

1802, 1803 AND 1804 VAPOR PROOF LIGHT FIXTURES

LIGHT DISTRIBUTION FOR 1802 & 1804					
Height in Feet	Average Ft. Candles for Single Fixture Over Indicated Area				
	4' x 4'	8' x 8'	12' x 12'	16' x 16'	20' x 20'
4	21.3	15.8	11.7	8.9	7.0
5	14.4	11.5	9.0	7.1	5.7
6	10.3	8.7	7.1	5.8	4.8
7	7.8	6.8	5.7	4.8	4.0
8	6.0	5.4	4.7	4.0	3.4
9	4.8	4.4	3.9	3.4	3.0
10	3.9	3.6	3.3	2.9	2.6
11	3.3	3.1	2.8	2.5	2.2
12	2.7	2.6	2.4	2.2	2.0
13	2.4	2.2	2.1	1.9	1.8
14	2.0	2.0	1.8	1.7	1.6
15	1.8	1.7	1.6	1.5	1.4
16	1.6	1.5	1.4	1.4	1.3
17	1.4	1.3	1.3	1.2	1.1
18	1.2	1.2	1.2	1.1	1.0
19	1.1	1.1	1.0	1.0	1.0
20	1.0	1.0	1.0	0.9	0.9

LIGHT DISTRIBUTION FOR 1803					
Height in Feet	Average Ft. Candles for Single Fixture Over Indicated Area				
	4' x 4'	8' x 8'	12' x 12'	16' x 16'	20' x 20'
4	17.6	31.1	9.7	7.4	5.8
5	11.9	9.5	7.4	5.9	4.7
6	8.5	7.2	5.9	4.8	3.9
7	6.4	5.6	4.7	3.9	3.3
8	5.0	4.5	3.9	3.3	2.8
9	4.0	3.6	3.2	2.8	2.4
10	3.2	3.0	2.7	2.4	2.1
11	2.7	2.5	2.3	2.1	1.9
12	2.3	2.2	2.0	1.8	1.6
13	1.9	1.9	1.7	1.6	1.5
14	1.7	1.6	1.5	1.4	1.3
15	1.5	1.4	1.3	1.3	1.2
16	1.3	1.3	1.2	1.1	1.0
17	1.1	1.1	1.1	1.0	0.9
18	1.0	1.0	1.0	0.9	0.9
19	0.9	0.9	0.9	0.8	0.8
20	0.8	0.8	0.8	0.8	0.7



© 2018 Kason Industries, Inc.
1218 LIT 001



1806 SERIES VAPOR-PROOF COMPACT FLUORESCENT LIGHT FIXTURE MEETS FEDERAL ENERGY REGULATIONS FOR WALK-INS

- GU24 socket provides sustainable, energy efficient alternative to standard incandescent walk-in fixtures.
- Proven self-ballasted compact fluorescent technology provides an economical solution to satisfy new federal energy reduction mandate for 2009.
- 26W fluorescent fulfills Energy Act requirement of 40 lumens per watt.
- Compact fluorescent lamp uses about 75% less energy than incandescent 100W bulb and lasts up to 10 times longer.
- Connects with standard electrical wiring.
- Available with clear polycarbonate or coated glass globe.
- Model No.1806-10 retrofits to existing Kason No.1802LG, 1803LG and 1804LG junction boxes.
- Meets NSF and UL requirements.

SPECIFICATIONS

MATERIAL:
Die-cast aluminum box, housing and plugs. Clear polycarbonate or coated glass globe

ELECTRICAL:
GU24 base accepts one lamp, 13W to 26W maximum, 120 VAC. Ground screw provided. Accepts standard wiring

LAMP:
26W lamp; 10,000 Hr. life, +60 lumens per watt, 4100K. See Light Distribution table on following page.

TEMPERATURE RATINGS:
Supply lead 140° F (60° C) minimum. Instant start at -20° F (-29° C), 3 minutes to full luminescence

MOUNTING:
Surface mounts with two tabs drilled for mounting screws. Five conduit ports accept 1/2" (13mm) or 3/4" (19mm) pipe thread. Four threaded plugs supplied to seal unused conduit openings (3/4" conduit special order)

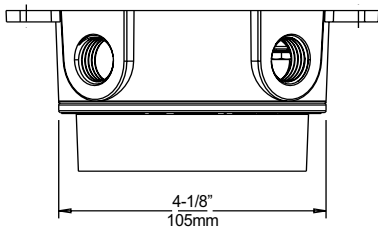
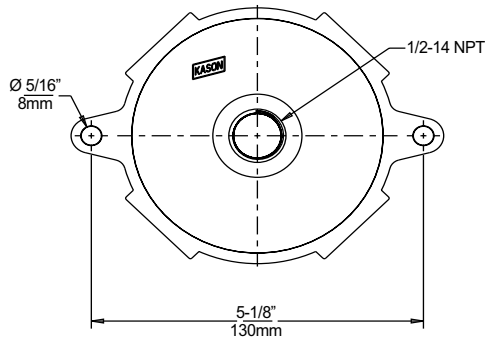
SAFETY STANDARDS:
NSF component.
UL listed US and Canada, File Nos. E213129 & E317316

OTHER:
Suitable for wet locations. Fully gasketed and enclosed to minimize effects of temperature extremes

Order fixtures and lamps separately.

ITEM #1806

GreenGuard®

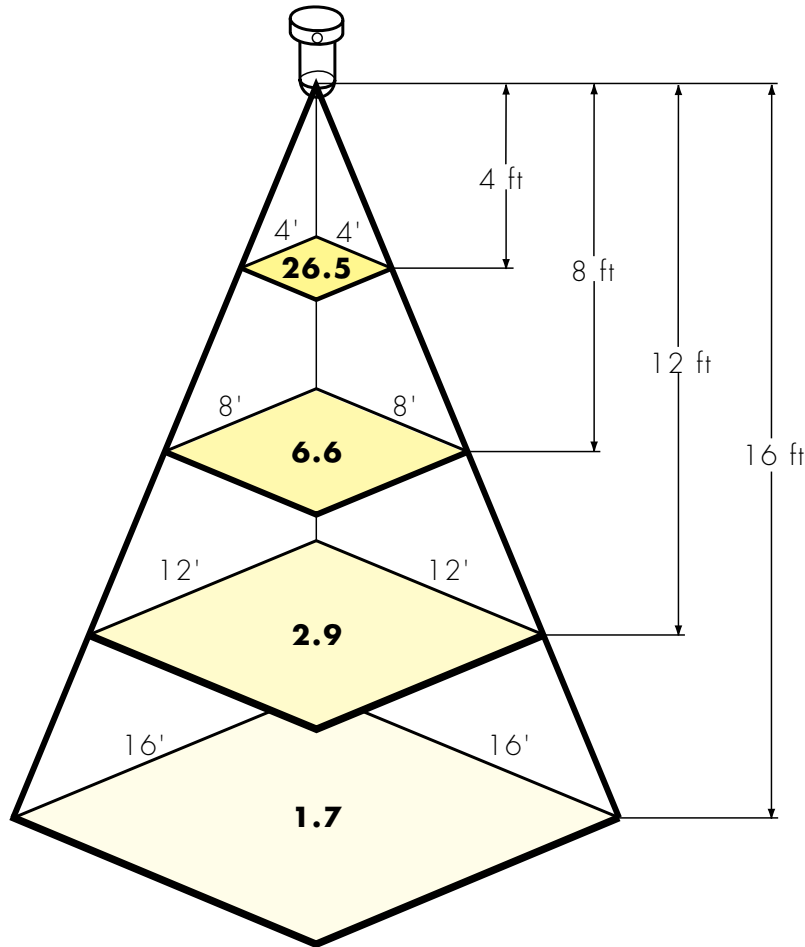


Model No.	Item	Qty/ Carton	Wgt/Carton
11806LG0000	Fixture with Lexan Globe & 1/2" NPT	25	49 lb. (22kg)
11806000010	Retrofit Kit for 1802LG, 1803LG & 1804LG Fixtures	50	20 lb. (9kg)
11806LGO1MP	Fixture with Lexan Globe & 1/2" NPT & Lamp 4100K	25	59 lb. (27kg)
91806SC2641	26W SB CFL Lamp 4100K	50	14 lb. (6kg)

1806 SERIES LIGHT DISTRIBUTION AT 40° F

LIGHT DISTRIBUTION FOR 1806					
Height in Feet	Average FC for Single Fixture Over Indicated Area				
	4' x 4'	8' x 8'	12' x 12'	16' x 16'	20' x 20'
5	14.4	9.4	5.4	3.5	2.4
8	6.0	6.6	4.0	2.7	2.0
9	-	-	3.7	2.5	1.9
12	-	-	2.9	2.1	1.6
13	-	-	-	2.0	1.5
16	-	-	-	1.7	1.3
17	-	-	-	-	1.2
20	-	-	-	-	1.1

Figures above are for 40° F room after warmup. Multiply by .50 for 0° F and .25 for -20° F.





ITEM # 1807LW

ITEM # 1807LWR



COMPANY WITH
QUALITY SYSTEM
CERTIFIED BY DNV GL
= ISO 9001 =



ROHS
COMPLIANT



1807LC & 1807LW LED FIXTURES

- Low profile high impact Lexan lens with anti-glare technology
- Wall mount design directs light into aisle for better visibility of product on shelves
- Recessed models available providing very low profile
- Preferred fixture for replacing inefficient lighting
- Designed to reduce electrical usage by 85%
- Minimal heat generation will lower utility cost
- Exceeds Federal Energy Act requirements
- Rated for 50,000+ hours of life
- 4000K color temperature
- Designed for wet cooler/freezer environments
- 3 year limited warranty on the light engine
- LM-79 tested, LM-80

U.S. Patent No. D728,151, No. 748,317, No. D748,841

SPECIFICATIONS

MATERIAL:
Lexan lens, Aluminum Housing

MOUNTING:
Surface mount

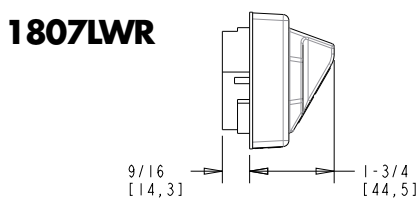
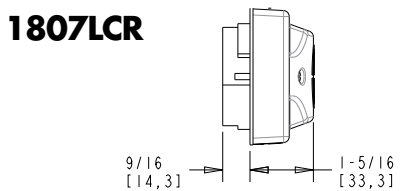
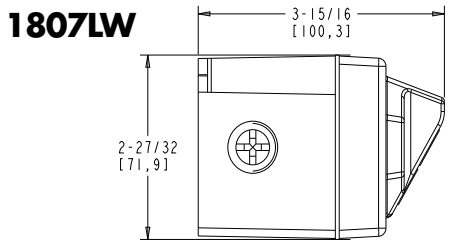
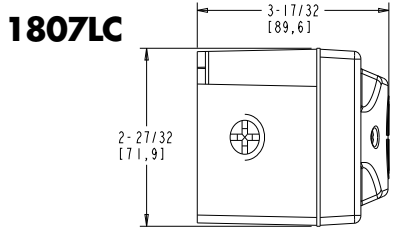
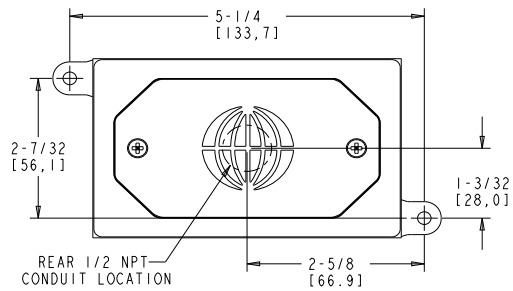
ELECTRICAL:
900 Total Lumens
120V-277V VAC, 50/60Hz.
82 Lumens/Watt
.09 Amps @120v
Watts: 11 W
Power Factor: 0.9
CRI 85

SAFETY STANDARDS:
RoHS
UL listed US and Canada,
File No. E333932
NSF

PRISON PACKAGE:
Tamper resistant fastener kit
option available.

TEMPERATURE RATINGS:
Operating temperature:
-40°F to 122°F (-40°C to 50°C).
Recessed models:
-40°F to 104°F (-40°C to 25°C).

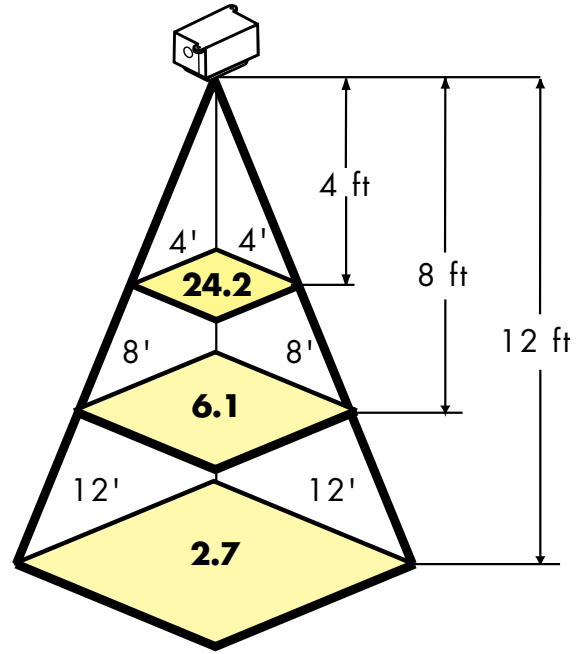
Model No.	Description	Weight	Qty/ Carton
11807LC0000	11 Watt, VP, 120 V, LED Fixture	1.2 lbs./unit	25 ea.
11807LW0000	11 Watt, VP, 120 V, LED Fixture	1.2 lbs./unit	25 ea.
11807LCR000	11 Watt, VP, 120 V, Recessed LED Fixture	0.5 lbs./unit	50 ea.
11807LWR000	11 Watt, VP, 120 V, Recessed LED Fixture	0.5 lbs./unit	50 ea.
91807000357	Tamper Resistant Screw Kit		



© 2018 Kason Industries, Inc. 1218 LIT 001

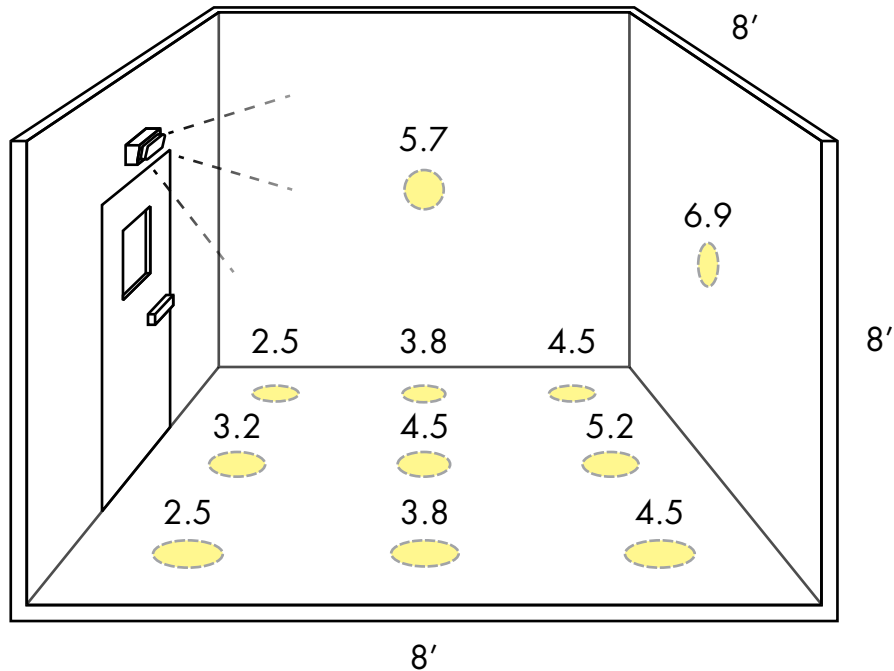
1807LC & 1807LCR LED LIGHT DISTRIBUTION

Height in Feet	Average FC for Single Fixture Over Indicated Area	
	8' x 8'	12' x 12'
5	8.3	4.5
8	6.1	3.6
9	-	3.3
12	-	2.7



1807LW & 1807LWR LED LIGHT DISTRIBUTION

(Average FC)



© 2018 Kason Industries, Inc.
1218 LIT 001



ITEM # 1808

U.S. Patent Nos. 8,950,893; 9,546,782 and D-759,285



COMPANY WITH QUALITY SYSTEM CERTIFIED BY DNV GL = ISO 9001 =



1808 LED FIXTURE

- Low profile high impact Lexan globe with anti-glare technology
- Preferred fixture for replacing inefficient lighting
- Designed to reduce electrical usage by 85%
- Minimal heat generation will lower utility cost
- Exceed Federal Energy Act requirements
- Rated for 50,000+ hours of life
- 4000K color temperature
- Designed for damp/wet/cooler/freezer environments
- 5 year limited warranty on the light engine
- LM-79 tested

SPECIFICATIONS

MATERIAL:
Lexan lens, Aluminum Housing.

MOUNTING:
Surface mount.

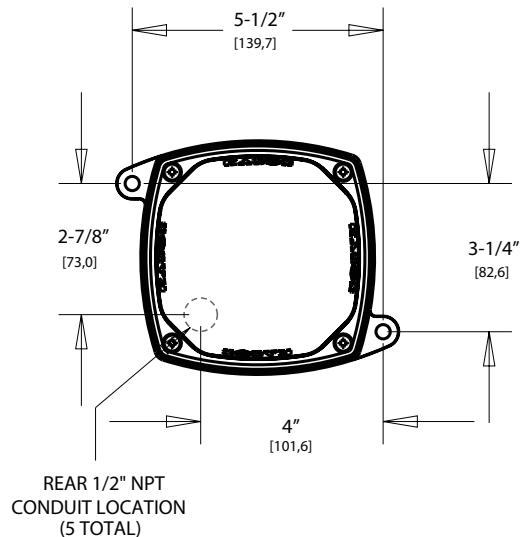
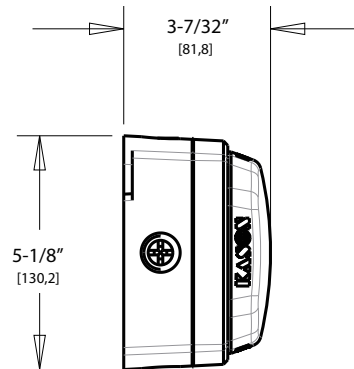
ELECTRICAL:
1355 Lumens
90-305 VAC, 50/60Hz.
92 Lumens/Watt
.12 Amps @120v
Watts: 14.7 W
Power factor: 0.99
CRI 85

SAFETY STANDARDS:
RoHS
UL listed US and Canada, File No. E333932
NSF Listed
IP-65
Energy Star Certified

TEMPERATURE RATINGS:
Operating temperature:
-40°F [-40°C] to 104 °F [40°C].

PRISON PACKAGE
Tamper resistant fastener kit option available.

Model No.	Description	Weight	Qty/ Carton
11808000000	14 Watt, VP, 120-277 V, LED Fixture	2.5 lbs / unit	12 ea.
11808CE0000	14 Watt, VP, 120-277 V, LED Fixture, CE	2.5 lbs / unit	12 ea.
1180800A100	12 Watt, VP, 120 V, LED Fixture	2.1 lbs /unit	12 ea.
91808000357	Tamper Resistant Screw Kit		
918080A1588	12 Watt, 120 VAC, Replacement Module		

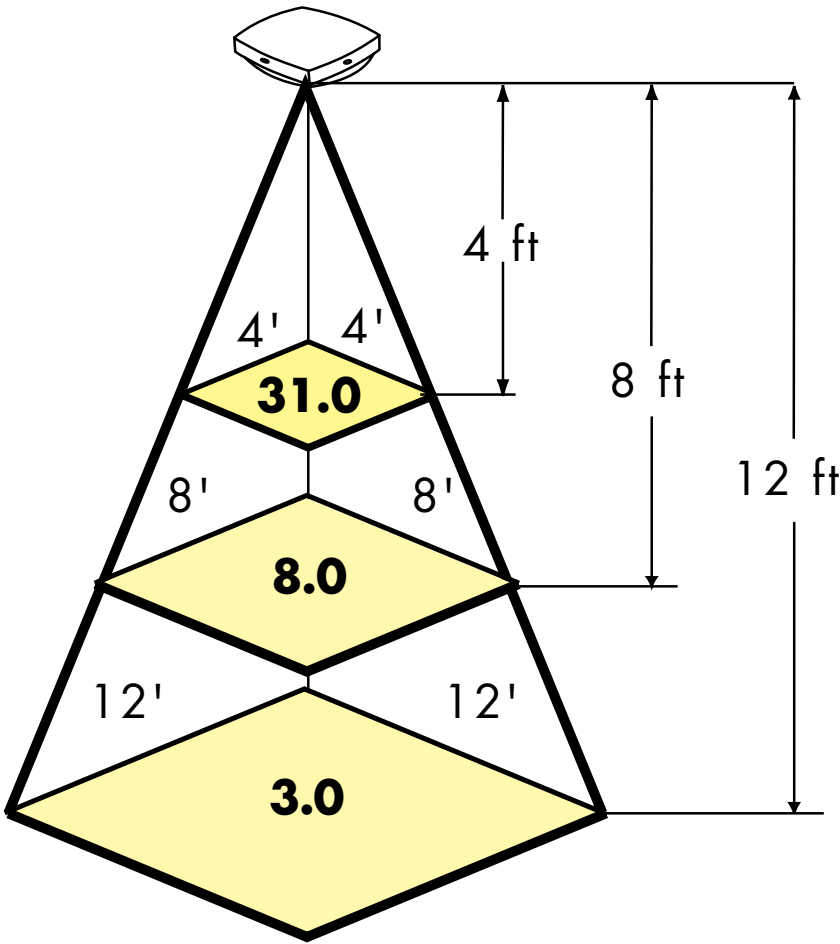


© 2018 Kason Industries, Inc.

1218 LIT 001

1808 LED LIGHT DISTRIBUTION

LIGHT DISTRIBUTION FOR 1808 LED		
Height in Feet	Average FC for Single Fixture Over Indicated Area	
	8' x 8'	12' x 12'
5	11.0	6.0
8	8.0	5.0
9	-	4.0
12	-	3.0



© 2018 Kason Industries, Inc.
1218 LIT 001



ITEM # 1808NM

US Patent Number: 9,546,782 & [D728,147]



ITEM # 1808FM

US Patent Number: 9,546,782 & [D728,150]



1808NM & 1808FM LED FIXTURE

- Low profile high impact Lexan globe with anti-glare technology
- Wall-mount design directs light into aisle for better visibility of product on shelves
- Preferred fixture for replacing inefficient lighting
- Designed to reduce electrical usage by 85%
- Minimal heat generation will lower utility cost
- Exceed Federal Energy Act requirements
- Rated for 50,000+ hours of life
- Designed for damp/wet/cooler/freezer environments
- 5 year limited warranty on the light engine
- LM-79 tested, LM-80

SPECIFICATIONS

MATERIAL:
Lexan lens, Aluminum Housing

ELECTRICAL:
100-277 VAC, 50/60Hz.
.12 Amps @120v (.08 @ 240V)
Power factor: 0.9
CRI 83

ITEM #1808NM:
Watts: 14.3 W
1481 Total Lumens
104 Lumens/Watt

ITEM #1808FM:
Watts: 14.4 W
1565 Total Lumens
104 Lumens/Watt

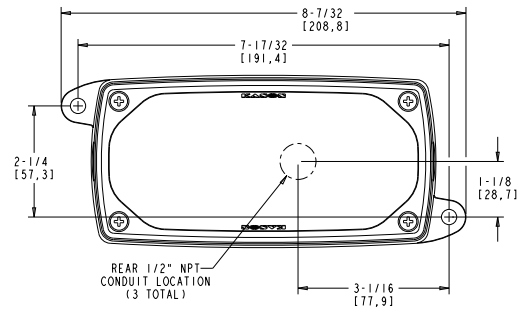
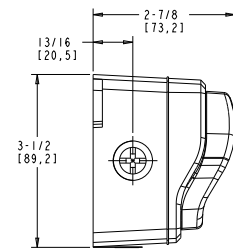
TEMPERATURE RATINGS:
Operating temperature:
-40°F [-40°C] to 104°F [40°C]
MOUNTING:
Surface mount

SAFETY STANDARDS:
RoHS
UL listed US and Canada
File No. E333932
NSF
IP-65
DLC

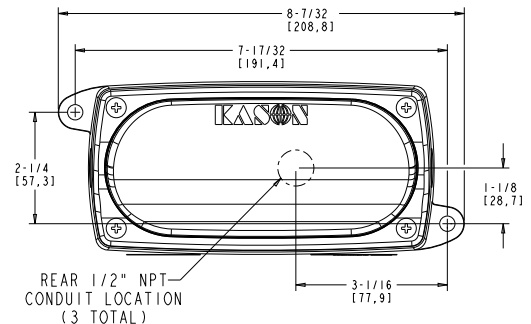
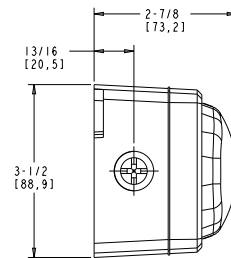
PRISON PACKAGE:
Tamper resistant fastener kit
option available

Model No.	Description	Weight	Qty/ Carton
11808FM0000	14 Watt, VP, 100-277 V, LED Fixture	1.8 lbs./unit	25 ea.
11808NM0000	14 Watt, VP, 100-277 V, LED Fixture	1.9 lbs./unit	25 ea.
91808NM0357	Tamper Resistant Screw Kit		50 ea.

1808NM



1808FM

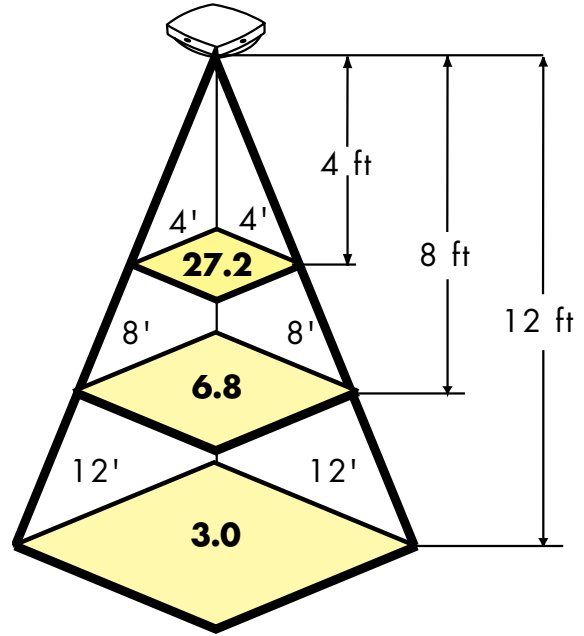


© 2018 Kason Industries, Inc.

1218 LIT 001

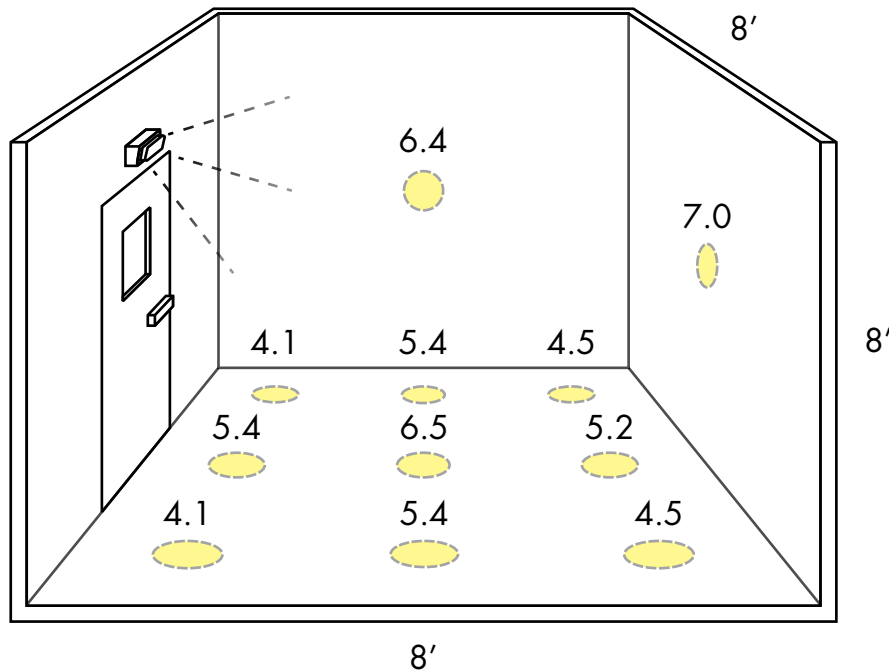
1808NM & 1808FM LED LIGHT DISTRIBUTION

LIGHT DISTRIBUTION FOR 1808FM LED		
Height in Feet	Average FC for Single Fixture Over Indicated Area	
	8' x 8'	12' x 12'
5	9.3	5.1
8	6.8	4.0
9	-	3.7
12	-	3.0



1808NM LED LIGHT DISTRIBUTION

(Average FC)

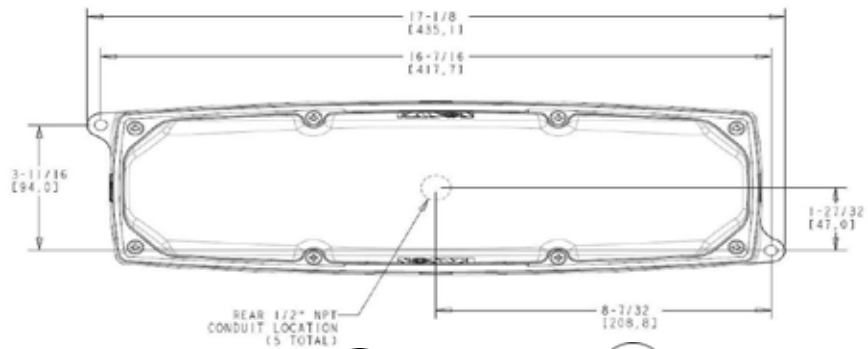
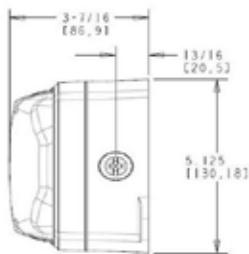


© 2018 Kason Industries, Inc.
1218 LIT 001



U.S. Patent No. D728,149

ITEM # 1809



1809 LED FIXTURE

- Compact size with up to the same lumens as the 4 ft. fixtures
- Low profile high impact Lexan globe with anti-glare technology
- Preferred fixture for replacing inefficient lighting
- Designed to reduce electrical usage by 85%
- Minimal heat generation will lower utility cost
- Exceed Federal Energy Act requirements
- Rated for 50,000+ hours of life
- 4000K color temperature
- Designed for damp/wet/cooler/freezer environments
- 5 year limited warranty on the light engine
- LM-79 tested, LM-80

SPECIFICATIONS

MATERIAL:
Lexan lens, Aluminum Housing

ELECTRICAL:
Lumens: 3450
120-277 VAC, 50/60Hz.
119 Lumens/Watt
.25 Amps @120v
Watts: 29 W
Power factor > 0.9
CRI 82.5

TEMPERATURE RATINGS:
-40°F [-40°C] to 77°F [25°C]

MOUNTING:
Surface mount

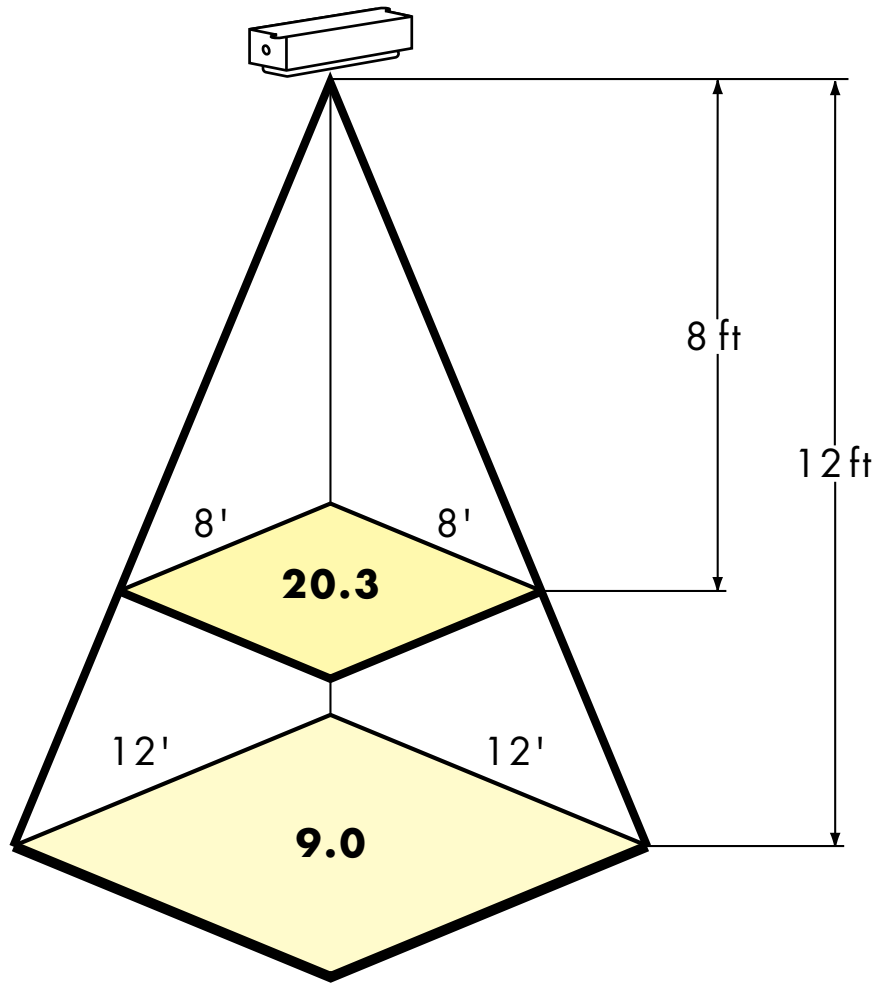
SAFETY STANDARDS:
RoHS
UL listed US and Canada,
File No. E333932
NSF

PRISON PACKAGE:
Tamper resistant fastener kit option
available

Model No.	Item	Weight
1180900003	29 (nominal) Watt, 120-277 V, LED Fixture, 3450 Lumens	4.1 lbs./unit
11809CE0003	29 (nominal) Watt, 220-240 V, LED Fixture, 3450 Lumens	4.1 lbs./unit
91809000357	Tamper Resistant Screw Kit	

1809 LED LIGHT DISTRIBUTION

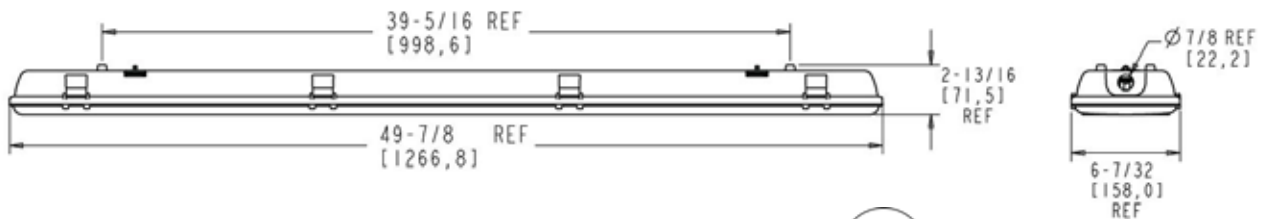
LIGHT DISTRIBUTION FOR 1809-3 LED			
Height in Feet	Average FC for Single Fixture Over Indicated Area		
	8' x 8'	12' x 12'	16' x 16'
5	27.8	15.2	9.6
8	20.3	11.9	7.8
9	-	11	7.4
12	-	9.0	6.2
13	-	-	5.9
16	-	-	5.1



© 2018 Kason Industries, Inc.
1218 LIT 001



ITEM # 1810LX



GreenGuard®



COMPANY WITH
QUALITY SYSTEM
CERTIFIED BY DNV GL
= ISO 9001 =



ROHS
COMPLIANT



1810LX4000 LED FIXTURE

- High output LED technology with best-in-class efficiency
- Designed for high ceilings and larger work rooms with greater foot candle requirements
- LED technology assures sustainable energy savings over the life of the fixture. Four-foot, vaporproof fixture is supplied complete with low energy LEDs.
- Payback in as little as six months. Reduced lighting wattage and heat generation lower utility cost. LED fixtures are rated +50,000 hr./life. Find your specific savings using the Kason Payback Calculator (Kas-Calc).
- Specifically designed for wet and low temperature environments. Operating temperature range from -40°F to 104°F (-40°C to 40°C). Luminaire meets IP-65 for wet and cold applications and is LM-79 and LM-80 tested.
- Reach full light level immediately even in lowest temperatures.
- Easily replaces less energy-efficient lighting.

SPECIFICATIONS

SIZE
Nominal O.D. 48". Dimensions:
49-7/8"L x 6-7/32"W x 4-7/32"H
(1267 x 158 x 107mm)

HOUSING
Injection-molded polycarbonate with
integral gasket

DIFFUSER
Clear, molded high impact
polycarbonate diffuser; stainless steel
latches for easy access to lamps

E-Z MOUNTING
Attach two, snap-in brackets to
ceiling; snap fixture in place, and wire

POWER
120 - 277VAC @ 50/60 Hz
(universal voltage); one hole
provided with knockout at
opposite end. Three knockouts
on back. Complies with NEC
regulations UL listed

37.7 W
0.33 Amps
4548 Lumens
120 Lumens/Watt

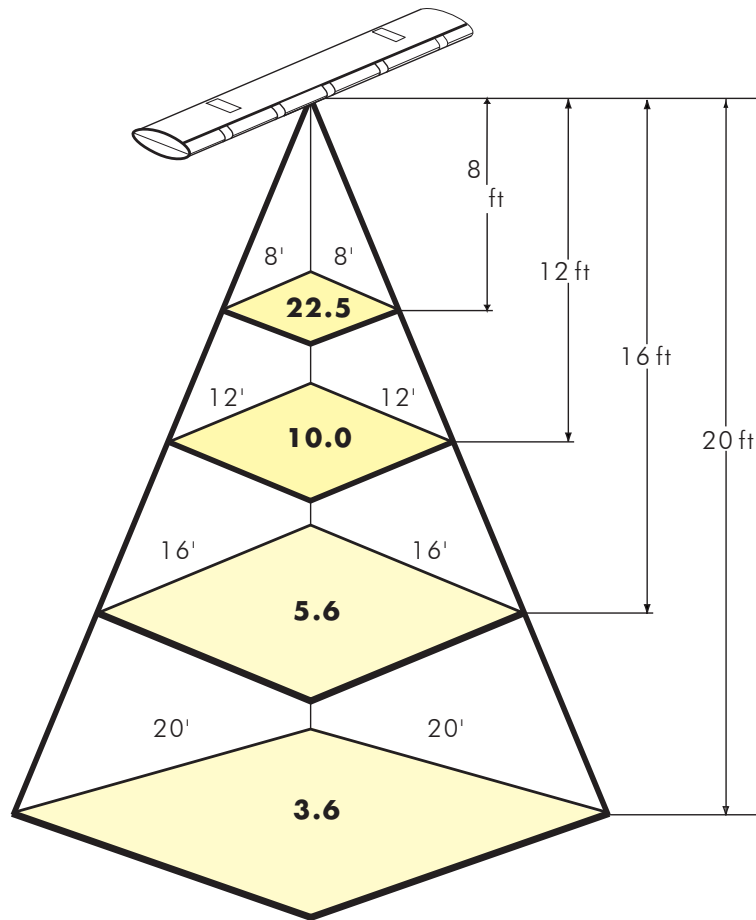
PRISON PACKAGE
Tamper resistant fastener kit
option available

Model No.	Item	Weight
11810LX4000	4' LED Light Fixture	6.3 lbs./fixture
91810EZ0357	Tamper Resistant Latch Kit (Qty 8)	
91810LX040R	LED Tray Light Engine, 40W	
91810LX0852	Diffuser	
91810EZ0356	Latch Assembly (Pack of 8)	

NOTE: Rebates apply through local utility companies.

1810LX4000 LED LIGHT DISTRIBUTION

LIGHT DISTRIBUTION FOR 1810LX4000 LED				
Height in Feet	Average FC for Single Fixture Over Indicated Area			
	8' x 8'	12' x 12'	16' x 16'	20' x 20'
5	30.9	17	10.7	7.4
8	22.5	13.2	8.7	6.2
9	-	12.2	8.2	5.9
12	-	10.0	6.9	5.1
13	-	-	6.5	4.8
16	-	-	5.6	4.2
17	-	-	-	4.0
20	-	-	-	3.6



© 2018 Kason Industries, Inc.
1218 LIT 001



ITEM # 1810LC



GreenGuard.



1810LC4000 LED FIXTURE

- Exceptionally energy-efficient lighting
- Surface mounting brackets
- Extremely durable polycarbonate housing and lens
- Designed for walk-in coolers and/or freezers
- Operating temp -40°F to 104°F (-40°C to 40°C)
- Rated 50,000+ hours of life

SPECIFICATIONS

SIZE:

Nominal Overall Dimensions
 46-7/16" L x 4-23/32" W x
 3-9/32" H (1179,5 x 119,9 x
 83,3 mm)

LUMEN OUTPUT:

4550 Lumens
 110 Lumens/Watt
 Color Temp: 4000K
 CRI: 84

MATERIAL:

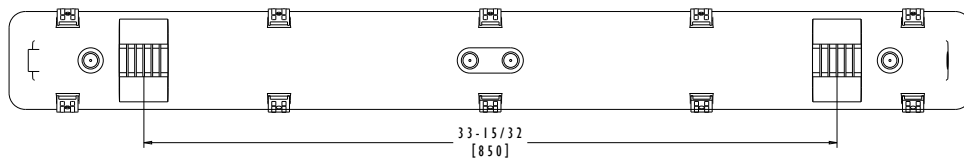
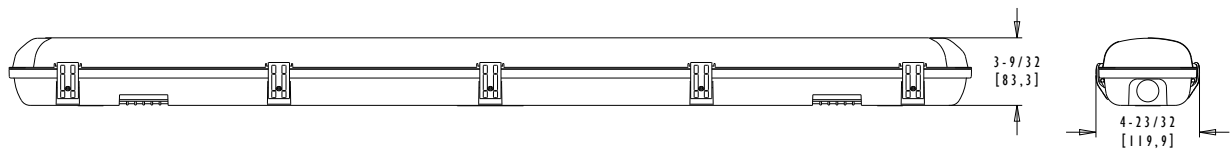
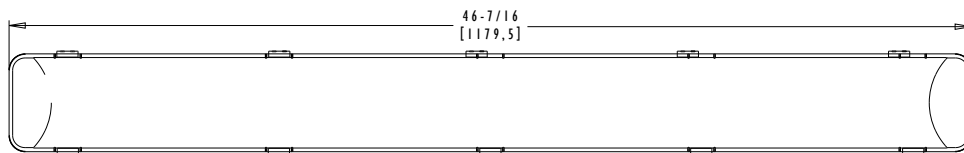
Diffuse: frosted UL approved
 UL94-HB rated, PC
 Housing: gray UL approved
 UL94-5VA rated, PC
 LED tray: white painted steel

CERTIFICATIONS:

UL approved for wet location
 NSF listed component
 IP-65

POWER:

Watts: 40W
 Volts: 120-277 VAC
 Amps: 0.4 A @120VAC
 PF: 0.99

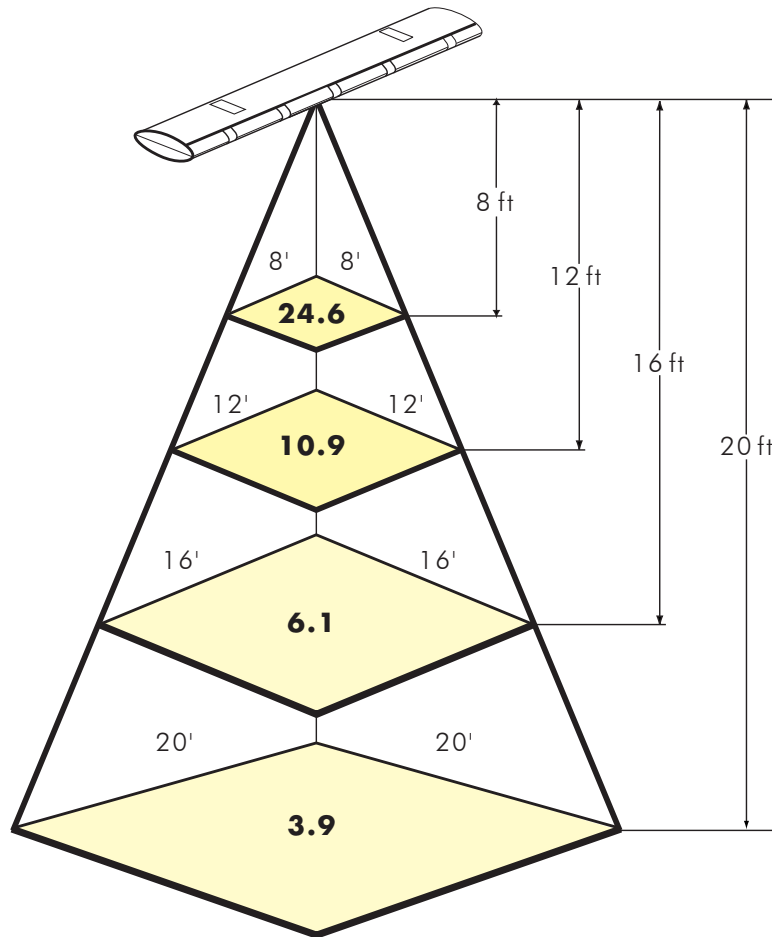


© 2018 Kason Industries, Inc.

1218 LIT 001

1810LC4000 LED FIXTURE

LIGHT DISTRIBUTION FOR 1810LC4000 LED				
Height in Feet	Average FC for Single Fixture Over Indicated Area			
	8' x 8'	12' x 12'	16' x 16'	20' x 20'
5	33.7	18.6	11.8	8.2
8	24.6	14.4	9.6	6.8
9	-	13.4	9.0	6.5
12	-	10.9	7.5	5.5
13	-	-	7.1	5.3
16	-	-	6.1	4.6
17	-	-	-	4.4
20	-	-	-	3.9



© 2018 Kason Industries, Inc.
1218 LIT 001



1806

1803

GreenGuard.



ROHS
COMPLIANT

1803 & 1806 SERIES LED WALK-IN COOLER/FREEZER FIXTURES

- For use in walk-in coolers and freezers
- High impact Lexan globe with anti-glare technology
- Preferred lamp for replacing inefficient incandescents & CFL.
- Designed to reduce electrical usage by 85%
- LM79 test results for fixture:
 - 1100 lumens
 - 86 lumens/watt
- Edison Base Socket or GU24 Socket.
- 4000K color temperature, CRI = 85
- Rated 25,000+ hour life
- 3-year limited warranty
- Nominal Power Supply Rating:
 - 11 Watts, 130mA @ 120V, 50/60 Hz
- Temperature Rating: Operating temperature: -20°F [-4°C] to 90°F [32°C]
- Bulb weight: 0.18 lb



1806LEDGU24



1803LEDA26



1806LEDGU24KT



1803LEDA26KT

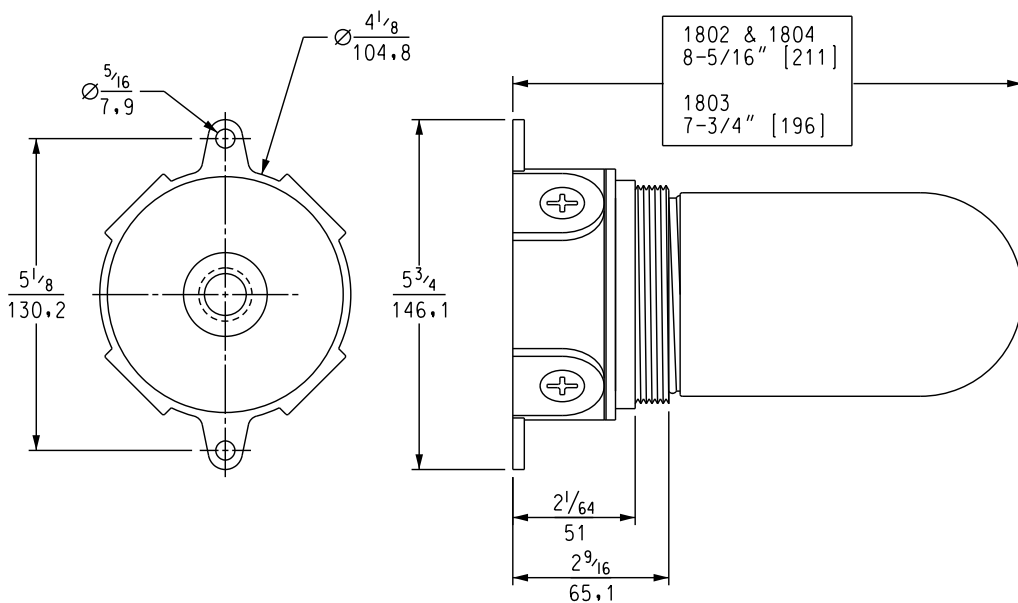


1802CAGU24

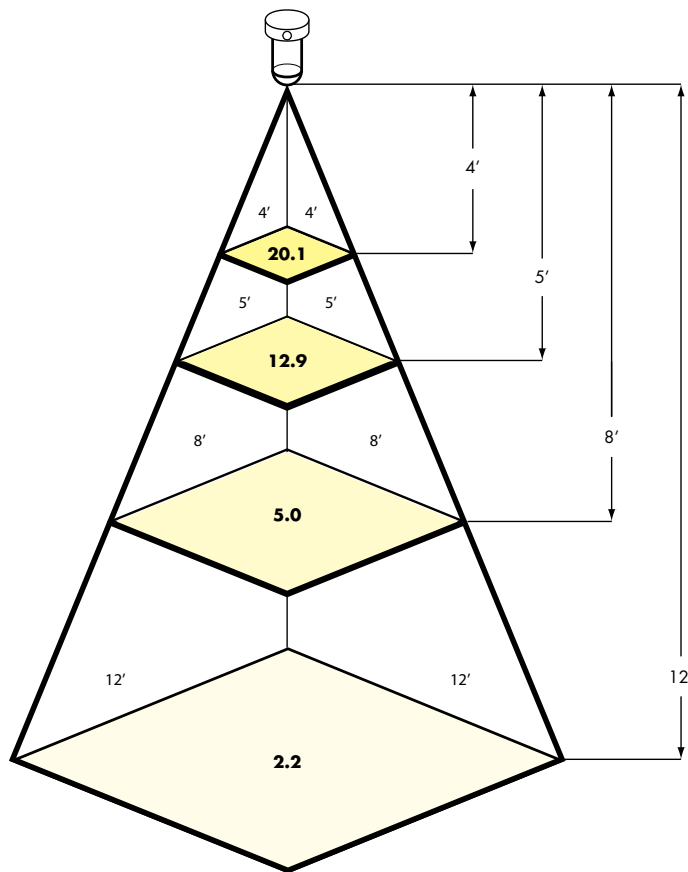


1802CA0E26

Model No.	Description	Master qty
Fixture, Lamp, And Globe		
11803LEDA26	Vaporproof LED Fixture With Lamp 11W E26	25
11806LEDGU24	Vaporproof LED Fixture With Lamp 11W GU24	25
Lamp, And Globe		
11803LEDA26KT	LED Lamp 11W E26 Type A Plus Globe	50
11806LEDGU24KT	LED Lamp 11W GU24 Type A Plus Globe	50
Lamp Only		
11802CAGU24	LED Lamp 11 watt GU24 Type A	50
11802CA0E26	LED Lamp 11 watt E26 Type A	50



1806 AND 1803 LED LIGHT DISTRIBUTION



1218 LIT 001 © 2018 Kason Industries, Inc.



ITEM # 1820



1820 LED HIGH BAY FIXTURE

- High output LED technology with best in class efficiency: 135 lm/watt
- Designed for high ceilings and larger workrooms with greater foot candle requirements
- Specifically designed for wet and low temperature environments. Operating temperature range from -20°F to 104°F 9 (-29°C to +40°C) Luminaire meets IP-54 for wet and cold environments and are LM-79 and LM-80 tested
- Payback in as little as 6 months. Reduced lighting wattage and heat generation lower utility costs
- LED fixture is rated for 50,000 hours and features a 5 year limited warranty
- Die cast Aluminum housing and polycarbonate lenses provide rugged durability
- Supplied with pressure port to optimize operation in cold environments
- Pre-wired with cord ready to install

SPECIFICATIONS

POWER
60W , 120-277 VAC
4000 CCT
>0.9 Power factor

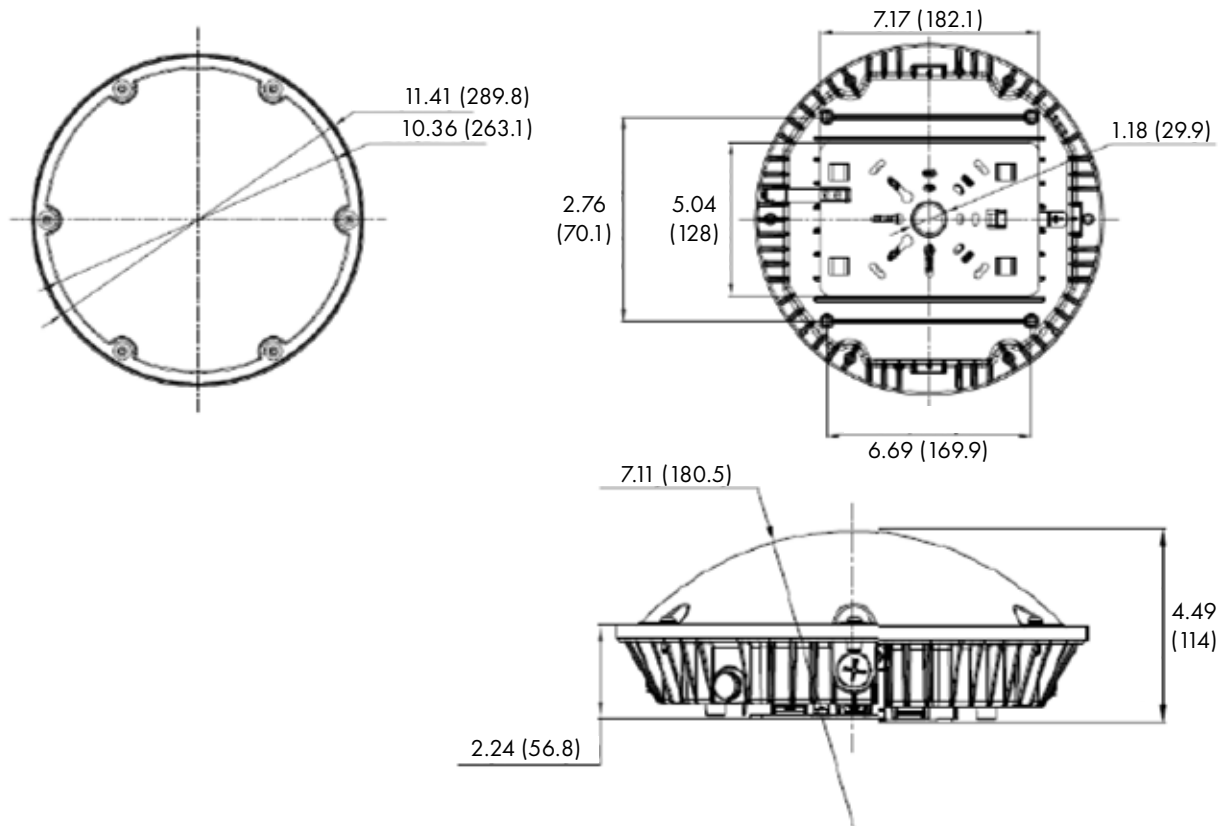
8100 total lumen output
Beam angle 160 degrees
IP-54 (-29°C - +40°C)



Model No.	Item	Weight
11820006040	LED High Bay Fixture	6.3 lbs./fixture

© 2018 Kason Industries, Inc.
1218 LIT 001

1820



1820 LED LIGHT DISTRIBUTION

LIGHT DISTRIBUTION FOR 1 1820006040 LED				
Height in Feet	Average FC for Single Fixture Over Indicated Area			
	8' x 8'	12' x 12'	16' x 16'	20' x 20'
5	55	31	20	14
8	38	23	16	12
9	-	21	15	11
12	-	17	12	9
13	-	-	11	9
16	-	-	10	7
17	-	-	-	7
20	-	-	-	6

© 2018 Kason Industries, Inc.

1218 LIT 001



U.S. Patent No. 9,441,810

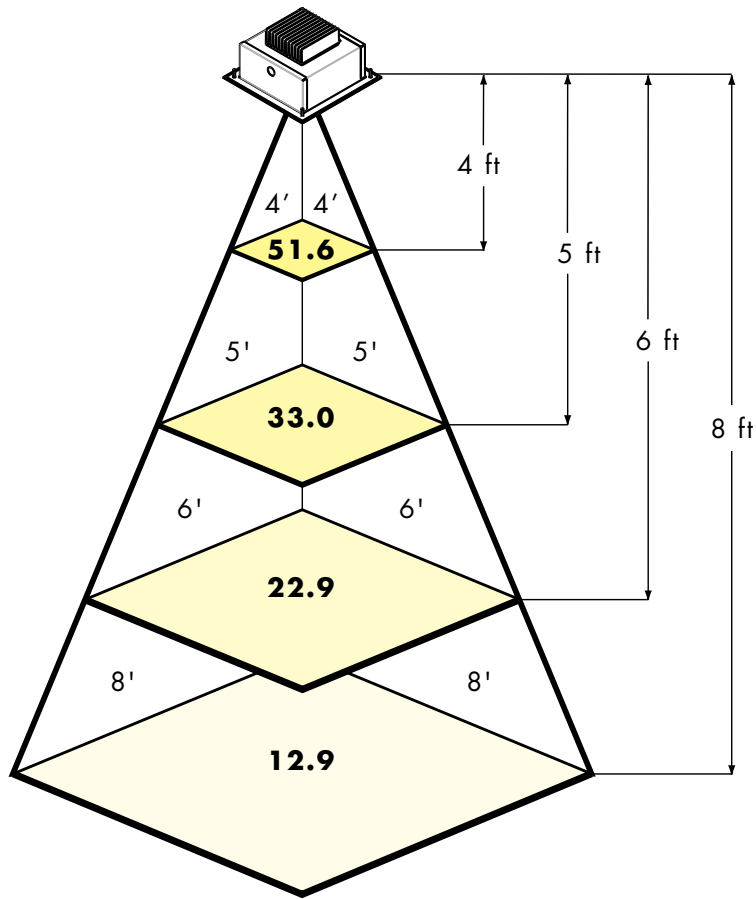
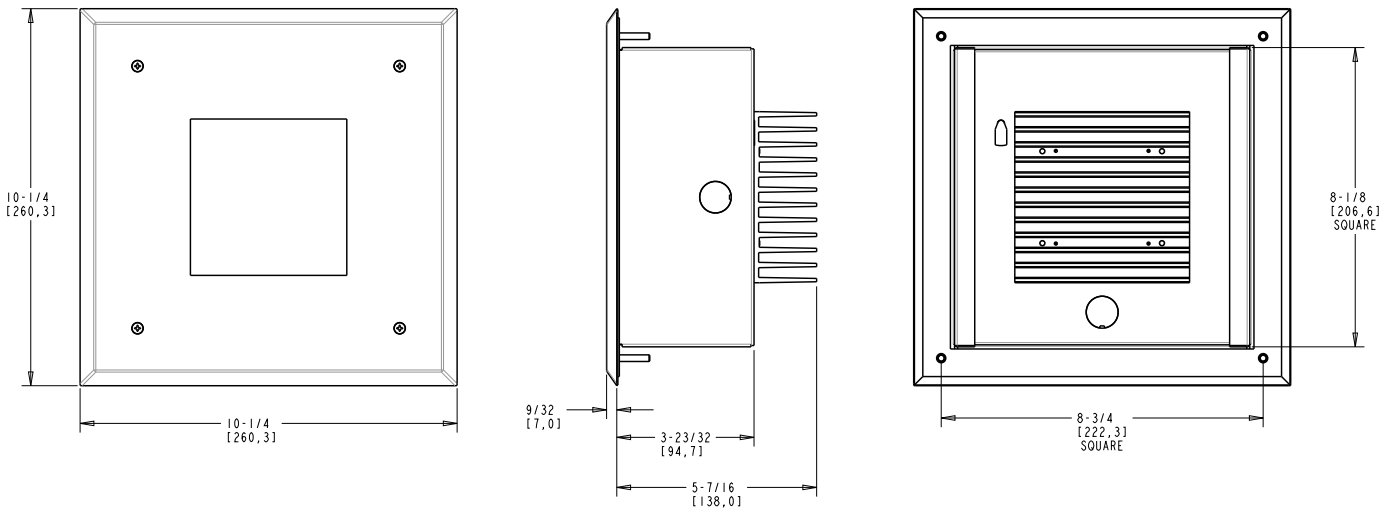
DESIGNED FOR COOKING SURFACES AND HOODS

- Listed for up to 167° F (75° C) operation
- 1150 total lumens
- 54 lumens/watt- Exceeds Federal Energy Act requirement
- Meets all requirements of NFPA 96 and NEC 410
- 80% of all available light projected onto work surfaces
- Warm 3000K color temperature, perfect for food applications
- Integral heat sink to eliminate internal heat
- 50,000 hour rating
- No ultraviolet emission: Does not attract insects
- 5-year limited warranty on fixture
- Housing: Painted galvanized steel
- Lens: Stainless steel with tempered glass
- Power: 110-277VAC at 50/60Hz (line voltage)
- Output Wattage: 22W
- Power Supply Rating: 0.5 AMPS @ 120V

Model No.	Description
11815000010	LED Hood Light Fixture
Packaging: 1 per Carton, approx. 9.8 lbs. (4.5 kg)	



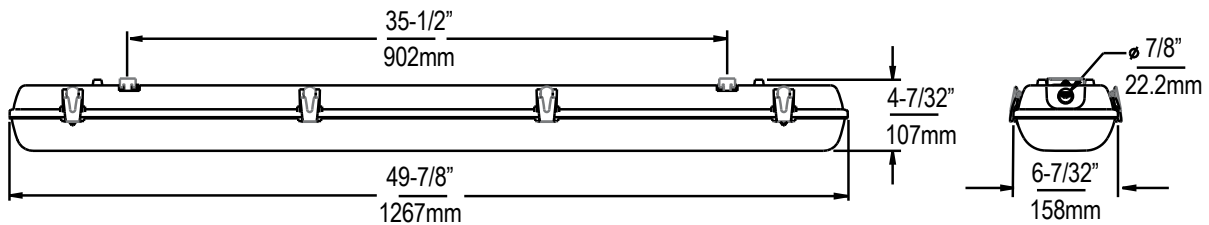
© 2018 Kason Industries, Inc.
1218 LIT 001



Average lumen output does not include ambient lighting.
Lumen output measures in Fc (Lm).



ITEM # 1810EZ



GreenGuard®



ROHS
COMPLIANT

1810EZ HIGH PERFORMANCE, FLUORESCENT FIXTURE

- Advanced energy-saving fluorescent fixtures increase efficiency, produce less heat and cost less to operate than incandescent lighting.
- Get a fast start with full light quickly at low temperatures: Freezer fixture as low as -20° F (-29° C). Cooler fixture as low as 40° F (4.4° C).
- Full gasket assures moisture-proof operation for coolers, freezers and other applications requiring water resistance. IP-65.
- Lightweight fixture features tethered, snap-in-place reflector for ease of installation. Shatterproof, polycarbonate diffuser is standard.

SPECIFICATIONS

SIZE
Nominal O.D. 48". Dimensions:
49-7/8"L x 6-7/32"W x 4-7/32"H
(1267 x 158 x 107mm)

HOUSING
Injection-molded polycarbonate with integral gasket. IP-65

DIFFUSER
Clear, molded high impact polycarbonate diffuser; stainless steel latches for easy access to lamps.

BALLAST
Electronic ballast: Freezer, T5HO, start -20° F (-29° C). Cooler, T8, start 40°F (4.4°C)

E-Z MOUNTING
Attach two, snap-in brackets to ceiling; snap fixture in place and wire.

POWER
120 - 277 VAC @ 50/60 Hz (universal voltage); one hole provided with knockout at opposite end. Three knockouts on back. Complies with NEC regulations.

1810EZ-48L
106 Watts
0.88 amps @ 120 VAC
0.44 amps @ 240 VAC

1810EZ-48LC
106 Watts
0.88 amps @ 120 VAC
0.44 amps @ 240 VAC

UL LISTING
File No. E-213129

Model No.	Item
11810EZUV48L	Freezer Fixture, 48" (1219.2mm) Accepts (2) F54T5HO lamps (not included)
11810EZUV48LC	Cooler Fixture, 48" (1219.2mm) Accepts (2) F32T8 lamps (not included)
11810EZUV48LB	Freezer Fixture, 48" (1219.2mm) Includes (2) F54T5HO lamps
91810EZ0357	Tamper Resistant Latch Kit (Qty 8)
91810EZ0851	Replacement Parts, Diffuser, PC 4ft 1810ez
91810EZ0318	Replacement Parts, T5ho Ballast 120-277 Volt Univ
91810EZ0320	Replacement Parts, T8 Ballast 120-277V Univ
91810EZ0356	Replacement Parts, Latch Assembly, Narrow (Pack of 8)

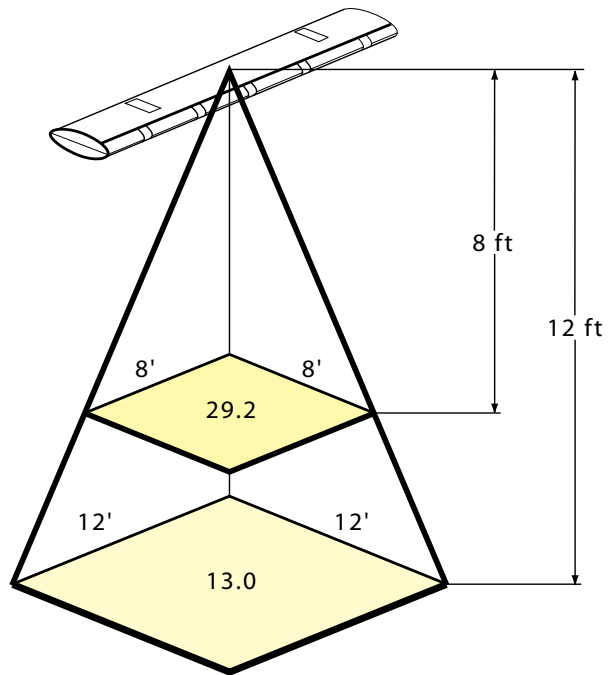
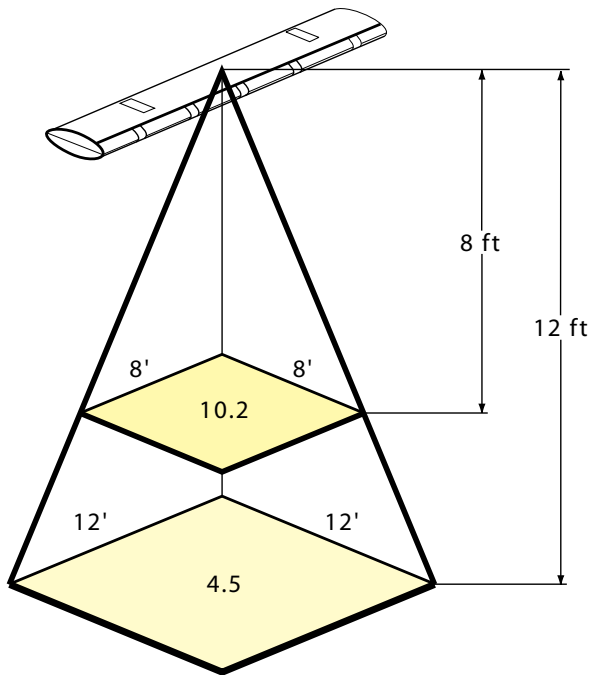
CONTINUED FROM PREVIOUS PAGE

1810EZ FLUORESCENT LIGHT DISTRIBUTION

LIGHT DISTRIBUTION FOR 1810EZ T5H0 FREEZER (-20° F)				
Height in Feet	Average FC for Single Fixture Over Indicated Area			
	8' x 8'	12' x 12'	16' x 16'	20' x 20'
5	14.1	7.9	4.3	3.5
8	10.2	6.0	4.0	2.9
9	-	5.6	3.8	2.7
12	-	4.5	3.1	2.3
13	-	-	3.0	2.2
16	-	-	2.6	1.9
17	-	-	-	1.8
20	-	-	-	1.6

LIGHT DISTRIBUTION FOR 1810EZ T5H0 COOLER (40° F)				
Height in Feet	Average FC for Single Fixture Over Indicated Area			
	8' x 8'	12' x 12'	16' x 16'	20' x 20'
5	40.4	22.4	14.3	10.0
8	29.2	17.2	11.5	8.2
9	-	16.0	10.8	7.8
12	-	13.0	9.0	6.6
13	-	-	8.5	6.3
16	-	-	7.3	5.5
17	-	-	-	5.3
20	-	-	-	4.7

For output at 0° F, multiply 40° F table values by .65. All data is after warm-up.



© 2018 Kason Industries, Inc.
1218 LIT 001



ITEM # 1802NL

1802NL LED SAFETY NIGHT LIGHT

- Always illuminated
- Safe illumination even when the main lights are turned off
- Small, can be mounted anywhere
- Easy to install and retrofit into new and existing fixtures
- Bright 100 lumen
- Clean, 4000K Color Temperature
- Threads into 1/2" NPT conduit or mounts in 7/8" diameter hole
- UL Listed "Lighting Fitting" E485640
- Designed for use Indoor/Outdoor – "Wet Location"
- Night light sold separately from light fixtures.
- Comes with a 2 year warranty

SPECIFICATIONS

MATERIAL:

Lens – PC (Clear with UV inhibitor)
 Housing – Aluminum
 Gasket – Rubber
 Wire – 6" long

TEMPERATURE RATINGS:

Operating temperature:
 -40°F [-40°C] to 104 °F [40°C].

SAFETY STANDARDS:

RoHS
 UL listed US and Canada,
 File No. E485640

ELECTRICAL:

100 Lumens/Watt
 120 vac 60 Hz

Model No.	Item
11802NL0100	1 Watt LED Night Light

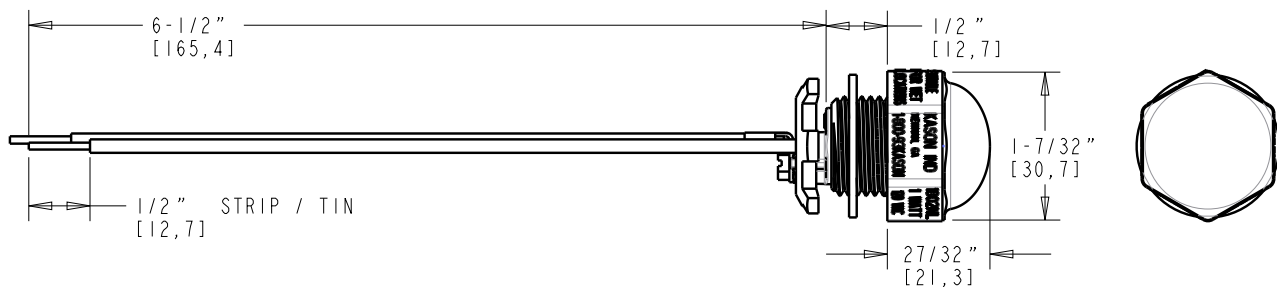
GreenGuard.



1802NL attached to 1808NM (left) and 1803 (right).
 Fixtures sold separately from 1802NL.

© 2018 Kason Industries, Inc.

1218 LIT 001





ITEM # 1901A GreenGuard.



1901A MOTION SENSOR

- Specifically engineered for installation in walk-in coolers and freezers.
- Uses electronic components to allow for reliable operation in extreme temperatures.
- Features a gasketed water-tight enclosure which prevents moisture and dust from entering the sensor and affecting occupancy detection.

- Operation: Passive infrared sensor detects motion and turns lights on at temperatures below freezing. Uses DIP switches to set time delay and PIR sensitivity.
- Low Bay Sensor: High density optic lens set covers a 20 ft. (7.3 m) diameter with ceiling height up to 20 ft. (6.1 m).
- High Bay Sensor: Same as the low bay sensor except with ceiling height from 20 ft. (6.1 m) to 40 ft. (12.2 m).

SPECIFICATIONS

OPERATION

Passive infrared sensor detects motion and turns lights on at temperatures below freezing. Uses DIP switches to set time delay and PIR sensitivity

COVERAGE:

LOW BAY SENSOR: High density optic lens set covers a 24 ft. (7.3m) diameter with ceiling height up to 20 ft. (6.1m).

HIGH BAY SENSOR: Same as above except with ceiling height from 20 ft. (6.1m) to 40 ft. (12.2m).

MATERIAL:
Polycarbonate

VOLTAGE:
120 /277 vac at 50/60 hz.

LOAD:
120 VAC with 0-800 W ballast;
277 VAC with 0-1200W ballast.

TIME DELAY:

Convenient DIP switch adjusts from 10 seconds to 20 minutes after walk-in is exited. Factory set to 2 min.

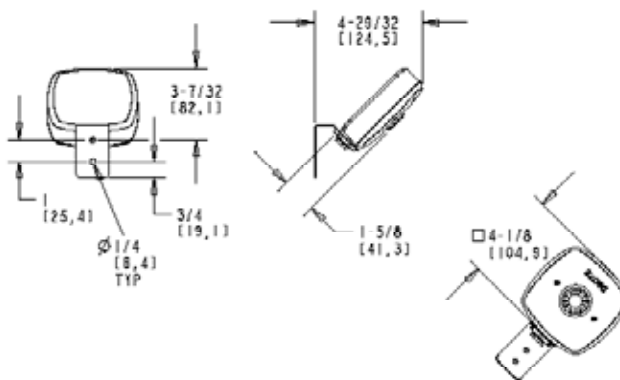
TEMPERATURE RATINGS:
-20° F (-28.9° C) minimum;
160° F (60° C) maximum

ELECTRICAL CONNECTION:
1/2" (12.7mm) NPT thread,
13-1/2" (342.9mm) AWG wire

MOUNTING:
Horizontal or vertical for use with all Kason light fixtures (Mounting kit included)

SAFETY STANDARDS:
IP65, UL-listed US and Canada for wet locations, and NSF

OTHER:
Suitable for wet locations. Fully gasketed and enclosed to minimize effects of temperature extremes.



Model No.	Description
11901A00005	Low Bay Sensor with Mounting Kit
11901A00007	High Bay Sensor with Mounting Kit
Above Packaging: 10 per Carton, approx.7.5 lb. (3.4kg)	

KASON LIGHT FIXTURE AND LEXAN COVER



1805 SERIES LIGHT FIXTURE

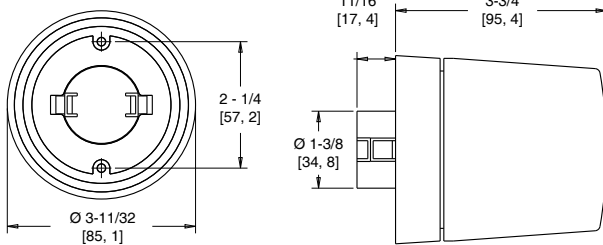
- Specifically designed for reach-in refrigerators and freezers.
- UL recognized component in US and Canada.
- NSF listed
- Accommodates a 40 watt appliance bulb.
- Drilled for #6 (3.5 mm) mounting screws.
- Cast aluminum alloy body, brushed finish
- Impact resistant clear polycarbonate globe
- Snap-in porcelain socket with 10" long wire leads

SPECIFICATIONS

MATERIAL:
Cast aluminum alloy, impact resistant clear polycarbonate globe

FINISH:
Brushed

Model No.	Description	Voltage
11805000000	Reach-In Light Fixture	120VAC



1805-1 LEXAN COVER

- Protects 40 watt appliance bulb in refrigerator or freezer.
- Transparent Lexan material is non-toxic and unbreakable.
- Guard will not stain or discolor.

SPECIFICATIONS

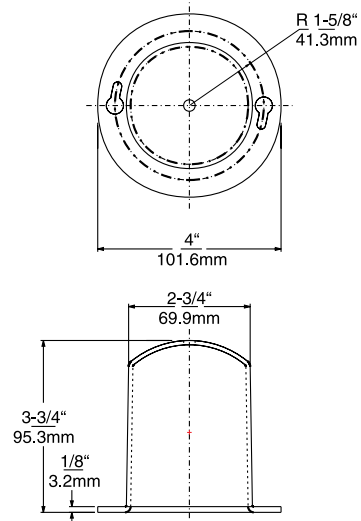
MATERIAL:
Molded Lexan

MOUNTING:
Drilled and slotted for No.8 (4.0mm) screws

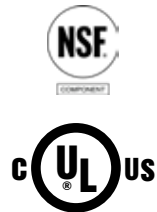
PACKAGING:
50 per Carton

WEIGHT:
Approx. 12 lb. (5.5kg)

Model No.	Item
11805000001	Lexan Cover



1801 SERIES QUICK-MOUNT LIGHTING FIXTURES



1801 WIRE GUARD

- For use on 1801 series light fixtures
- Chrome plated steel
- Protects glass globe from accidental breakage
- Removable for cleaning without tool
- Easy assembly without tools

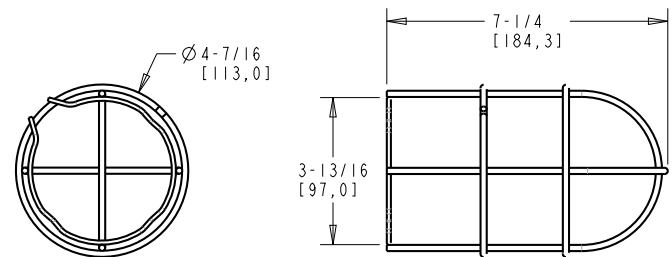
QUICK-MOUNT HOUSING INSTALLS IN SECONDS

- Quick-mount base installs to junction box in one-third the time of standard surface mount fixture
- Sanitary, rustproof cast aluminum fixture
- Impact and thermal shock-resistant, clear tempered or coated glass globe
- Easy mounting to standard junction box
- Meets requirements for NFPA Code 96 and NEC 410

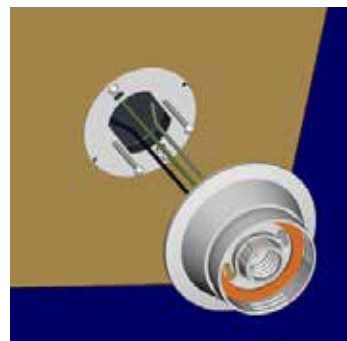
SPECIFICATIONS

- Die-cast aluminum alloy body, brushed finish
- Clear tempered or coated glass globe
- Porcelain socket, nickel-plated copper shell
- Maximum 100 W bulb (not included)
- Silicone gaskets
- Wire leads are 6" (152mm) long.
- Housing and globe, 5-1/2" dia. x 8-1/2" high (140x216 mm)
- Mounts to standard 3-1/2" (89mm) or 4" (102mm) junction box
- UL listed, File No. E57013

Model No.	Description
11801000013	Housing, UL & ULC
61801000004	Clear Tempered Glass Globe for 1801-13
61801000044	Coated Glass Globe for 1801-13



Model No.	Description
61801000002	Wire Guard



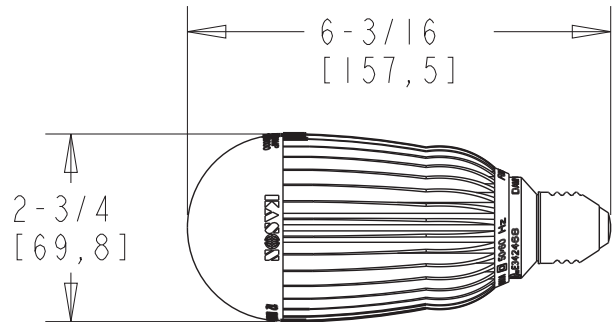
MOUNTING

1. Fasten supplied cover plate to your utility box
2. Line up keyholes in housing with long mounting screws supplied with cover plate
3. Twist housing to lock
4. Tighten screws

1801 LED HOOD LAMP

- DESIGNED FOR COOKING SURFACES AND HOODS
- 50,000 HOUR RATED
- 5 YEAR LIMITED WARRANTY

- Only UL listed Edison base LED bulb rated to 85°C (185°F)
- Designed for the harsh environment above a cooking surface or in a hood
- High impact Lexan lens with anti-glare technology
- Preferred lamp for replacing inefficient incandescents & CFL
- Designed to reduce electrical usage by 85%
- 960 total lumens
- 80 lumens/watt
- Edison Base Socket
- Warm 3000K color temperature, perfect for food applications
- Rated 50,000+ hour life
- 5-year limited warranty
- Easy installation, simply screw in to existing fixture, no electrician required.
- Power: 115-240VAC at 50/60Hz (line voltage)
- Power Supply Rating:
 - 12 Watts 0.14 AMPS @ 120V
 - 0.07 AMPS @ 240V
- Temperature Rating: Operating temperature:
 - 40°F [-40°C] to 185°F [85°C]



Model No.	Description
61801LED000	12W LED, Hood Lamp
61801LED011	12W LED Lamp W/ Clear Tempered Globe
61801LED044	12W LED Lamp W/ Coated Tempered Globe
61801LED001	12W LED Lamp w/Fixture and Coated Tempered Globe



1801 LED HOOD LAMP POINT OF SALE DISPLAY



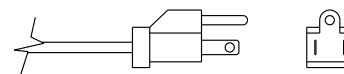
- Compact/Convenient Display for Countertops.
- 5 Year Limited Warranty/Rated 50,000 hours or more.
- Warm 3000K Color Temperature
- 80 Lumens/Watt; 960 Total Lamp Lumens
- Temperature Rating; -40°F [-40°C] to 189°F [87°C] Only UL listed Edison Base LED Rated to 189°F [87°C]

Model No.	Description
61801LED0DP	LED Lamp 115-240v 12w POS Pack

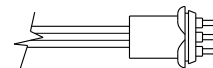




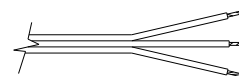
STANDARD PLUG



EMF PLUG



PIGTAILS PLUG



660 SERIES ENERGY SAVING CONDENSATE EVAPORATORS

- Designed for longer life and energy savings.
- Engineered for top efficiency at low energy cost.
- Thermostatically controlled, solid state heater provides reliable operation.
- Features one-piece pan of corrosion resistant #360 cast aluminum that provides long term performance and requires less frequent cleaning.
- Cuts heat loss by directing more heat to the wetted pan areas and less to the pan exterior.
- Thermostatically controlled heater lowers wattage automatically to conserve energy when the pan is empty.
- Strategic placement of the heating element extends heater life.

HIGH EFFICIENCY ENERGY SAVING EVAPORATORS

- High-efficiency, 225-watt models achieve up to 90% of the evaporation of a typical high wattage unit, using 25% less energy.

SPECIFICATIONS

MATERIAL: Die-cast #360 Series aluminum pan; spring wire legs	POWER SUPPLY AND CONNECTOR: See ordering information, below	4-3/4" x 12-1/2" x 2-7/8" (120mm x 317mm x 73mm)
FINISH: Natural	VOLUME: 50 fluid oz. (1479ml)	PACKAGING: 1 per carton
UL LISTING: File No. SA11890	SIZE:	WEIGHT: Consult Kason Representative

OPTIONAL WALL MOUNTED BRACKET FOR 660 EVAPORATORS

- Bracket mounts to back of cabinet.
- Pan snaps in place.

Model No.	Description	Cord Length & Plug Type	Evaporation Rate/Hour	Qty/Carton
10660000004	120VAC, 160W Evaporator	18" (457mm) Cord with Pigtails Plug	4.0 oz (118 ml)	1
10660000006	240VAC, 160W Evaporator	18" (457mm) Cord with Pigtails Plug	4.0 oz (118 ml)	1
106600000066	240VAC, 160W Evaporator	72" (1829mm) Cord with Pigtails Plug	4.0 oz (118 ml)	1
10660000006B	240VAC, 160W Evaporator	130" (3302mm) Cord with Pigtails Plug	4.0 oz (118 ml)	1
10660000006E	240VAC, 160W Evaporator	24" (610mm) Cord with EMF Plug	4.0 oz (118 ml)	1
10660000006G	240VAC, 160W Evaporator	127" (3226mm) Cord with Pigtails Plug	4.0 oz (118 ml)	1
10660000008	120VAC, 160W Evaporator	72" (1829mm) Cord with Standard Plug	4.0 oz (118 ml)	1
1066000000836	120VAC, 160W Evaporator	36" (914mm) Cord with Standard Plug	4.0 oz (118 ml)	1
10660000008A	120VAC, 160W Evaporator	96" (2438mm) Cord with Standard Plug	4.0 oz (118 ml)	1
10660000008B	120VAC, 160W Evaporator	132" (3353mm) Cord with Standard Plug	4.0 oz (118 ml)	1
10660000008E	120VAC, 160W Evaporator	24" (610mm) Cord with EMF Plug	4.0 oz (118 ml)	1
10660000008G	120VAC, 160W Evaporator	36" (914mm) Cord with Standard Plug	4.0 oz (118 ml)	1
106600000036	240VAC, 160W Evaporator	72" (1829mm) Cord with Pigtails Plug	5.3 oz (157 ml)	1
106600000038	120VAC, 225W Evaporator	72" (1829mm) Cord with Standard Plug	5.3 oz (157 ml)	1
106600000038A	120VAC, 225W Evaporator	96" (2438mm) Cord with Standard Plug	5.3 oz (157 ml)	1
106600000038T	120VAC, 225W Evaporator	72" (1829mm) Cord with Pigtails Plug	5.3 oz (157 ml)	1
106600000064	Wall Mounted Bracket			10

Special cords to order. Bulk packaging available.



REF. A PILOT SWITCHES



- Specification grade.
- Rated 15A, 120V AC.



OPTION:

- 220V single pole.



REF. G LARGE UTILITY BOX



- Tapered aluminum
- 1/2" (12.7mm) knockouts
- 2-1/8" (54mm) deep



REF. B STAINLESS COVER PLATE



- Stainless steel.
- Use with switches, above.



7317 ROCKER SWITCH

- Contact switch.
- Plate mounted rocker switch.
- Bakelite plunger.
- Flush mounting

REF. H



REF. C RECEPTACLE



- Commercial grade.
- Black plastic.



REF. D BLANK COVER PLATE



- Stainless steel.



REF. E COVER PLATE



- Stainless steel.
- For single toggle switch.



REF. F GFCI RECEPTACLE

- Ground fault circuit interrupter for wet locations.
- 125 VAC-15 AMPs at receptacle; 20-AMP feed through.
- Complete with cover plate.

REF. F

Ref.	Model No.	Item
	3EEAI000277	Switch, Single Pole, Ivory
	3EEAB000277	Switch, Single Pole, Brown
A	3EEAI000277C	Switch, Single Pole, CSA Listed, Ivory*
	3EEAI000294	Switch, 3-way, Ivory
	3EEAB000294	Switch, 3-way, Brown
	3EEAI000294C	Switch, 3-way, CSA Listed, Ivory*
B	3EEA00000S8	Cover Plate for Switches (A)
C	3EEABL00827	Receptacle, 15 Amps.
	3EEABL00877	Receptacle, 20 Amps.
D	3ELE0000100	Blank Cover Plate
E	3ELE0000101	Cover Plate for Single Switch
F	3ELE0000102	GFCI Receptacle & Cover Plate
G	3ELE0000104	Utility Box, 2-1/8" Deep Box
H	67317000101	Rocker Switch

*CSA switches also available Brown or White.



REF. A

1908 WEATHERPROOF ROCKER SWITCH AND COVER PLATE

- Specification grade, weatherproof cover plate with 120 VAC pilot light.
- Easy to install.
- Pilot light built in for easy illumination- Eliminates the need for additional components.
- Built in indicator can be wired as "night light" or "lights on" to meet all of your needs.
- Spade wire terminal for easy and fast installation.
- Ideal solution for "wet locations", indoor and out.
- Cover plate included with switch.

1908-603 SINGLE AND THREE-WAY SWITCH WITH INDICATOR LIGHT

- Indicator: Neon
- Circuit: SPDT + Indicator
- Connection: 1/4" Spade Male Terminal

1908-604 FOUR-WAY SWITCH WITH INDICATOR LIGHT

- Indicator: Neon
- Circuit: DPDT + Indicator
- Connection: 1/4" Spade Male Terminal



REF. B



UTILITY BOX

- 3/4" (19 mm) knockouts.
- 1-7/8" (47 mm) deep.



REF. C



BWF SINGLE GANG BOX

- Weatherproof aluminum.
- 1/2" (13 mm) or 3/4" (19 mm) threaded outlets.



REF. D



BWF COVER PLATE

- Weatherproof aluminum.
- For single gang box, above.



REF. E



ROUND SPLICE BOX

- Weatherproof aluminum.
- 1/2" (13 mm) threaded outlets.



REF. F



7109 PEDESTAL BOXES

- Weatherproof aluminum.
- 1/2" (13 mm) threaded outlets.



REF. G

7110 RECESSED HOUSINGS

- #300 series stainless steel.
- Internal covered corners.
- Accepts standard J-box for tack welding.
- 4, No.10-24 mounting screws included.

Ref.	Model No.	Item
	1908000602	Waterproof Rocker Cover
A	1908000603	Waterproof Rocker Switch, Single or 3-way
	1908000604	Waterproof Rocker Switch, 4-way
B	3ELE0000050	Utility Box
C	3ELE0000500	Gang Box, 1/2" (13 mm) outlets
	3ELE0000750	Gang Box, 3/4" (19 mm) outlets
D	3ELE0001000	Cover Plate for Gang Boxes (B)
E	3ELE0000RB1	Round Splice Box
F	7109000002	Pedestal Box, Single Face
	7109000004	Pedestal Box, Double Face
G	7110000002	Recessed Housing with Cutout
	7110000004	Recessed Housing

KASON VAPOR TENSION THERMOMETERS

IMPRINTABLE REFRIGERATION THERMOMETERS

- Private label programs available.

SPECIFICATIONS

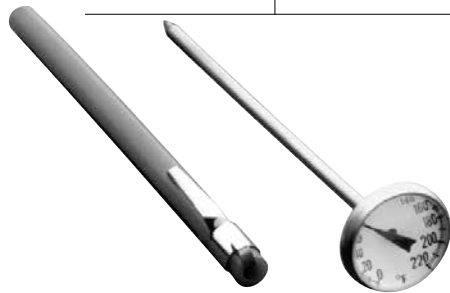
DISPLAY: Red spirit.
TEMP. RANGE: -40° to 120°F or -40° to 50°C.
MATERIAL: Plastic.
SIZE: 3-1/2" (89 mm) L.

Model No.	NSF No.	Temp. Range
1TM-70	B9121	Single Bracket, Screw On
1TM-71	B9121	Single Bracket w/ Safe Zone
1TM-75	B9121	Vertical Hang or Clamp
1TM-75	B9121	Vertical w/ Safe Zone
1TM-75	B9121	Horizontal
1TM-75	B9121	Horizontal w/ Safe Zone



IMPRINTABLE

POCKET



BIMETAL POCKET THERMOMETERS

- Sealed case.
- Low - and high - temperature models.
- Can be re-calibrated for general testing.

SPECIFICATIONS

DISPLAY: Analog needle.
TEMP. RANGE: See ordering information.
MATERIAL: Stainless steel case and stem; plastic protective case with pocket clip.
SIZE: 1" (25 mm) diameter dial; 5" (127 mm) long stem.

Model No.	Description	Temp. Range
1TM-85	Pocket	-40 ° to 180 ° F
1TM-90	Pocket	0 ° to 220 ° F
1TM-93	Pocket	50 ° to 550 ° F



HORIZONTAL

HORIZONTAL REFRIGERATION THERMOMETERS

SPECIFICATIONS

DISPLAY: Non-toxic red.
TEMP. RANGE: -40° to 80°F or -40° to 25°C.
MATERIAL: Clear acrylic case; stainless steel end brackets.
SIZE: 1-1/2" W x 5" L (38 x 127 mm).

Model No.	Description	Temp. Range
1TM-95	Horizontal	-40 ° to 80 ° F



2", 2-1/4" OR 5" DIAL



PANEL MOUNTING REFRIGERATION THERMOMETERS

- Large dial for easy remote reading.
- Private label programs available.

SPECIFICATIONS

DISPLAY: Analog needle.
TEMP. RANGE: -40° to 65°F or -40° to 20°C standard; others available.
MATERIAL: Stainless steel case; plated capillary; plain metal probe.
DIAL SIZE: 2" (51mm), 2-1/4" (57mm) or 5" (127mm) diameter.

Model No.	Size	Mount	Probe
1TM0000000	2"	Flush	48" Long Capillary, Ctr. Position
1TM0000001	2"	Flush	12" Long Capillary, Ctr. Position
1TM0000005	2-1/4"	Surface	12" Long Capillary, Ctr. Position
1TM0000045	2-1/4"	Surface	48" Long Capillary, Ctr. Position
1TM0000055	5"	Surface	48" Long Capillary, Ctr. Position
1DTT000004	2"	Flush	12" Long Capillary, Low Position
1DTT000005	2"	Flush	240" Long Capillary, Low Position

Note for specifications area:

Flush mount has surface flange, body recessed into wall.

Surface mount has flange at back of body, mounts with no recessing.

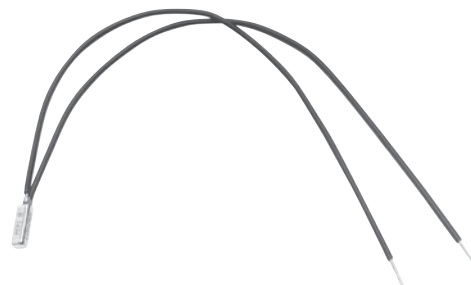
HEATER CABLE THERMOSTAT

- Pepi-B creep action micro thermostat controls walk-in door heater cables.
- Low cost, efficient, saves energy.
- Factory preset to maintain 102°F (39°C).
- Installs easily with a simple, two-wire connector.

HEATER CABLE

- Silicone Insulated Resistance Heater Wire
- Aluminum Braid, 0.140" Dia
- 4.8 Ohms per foot (8 watt/ft) nominal
- 24" Lead wire on each end

Model No.	Description
3ELE000008	Heater Cable Thermostat
10HTC000220	Heater Cable 220"
10HTC000232	Heater Cable 232"



HEATER CABLE THERMOSTAT

SOLAR DIGITAL THERMOMETERS

- Hi-tech, solar powered with battery back up.
- Surface mounts from front with two screws.
- Field set to Fahrenheit or Celsius.
- Remote reading.
- Private label programs available.

SPECIFICATIONS

POWER:
Solar collector, 50 lux, with battery backup for continuous service.

DISPLAY:
LCD, black character, 0.375" high with gray background.

TEMP RANGE:
-58 TO 158 ° F / -50 TO 70 ° C.

TEMP PROBE:
Glass passivated thermistor. Nickel-plated brass bulb, Ø 0.225". 60" (1524mm) black PVC lead; other lengths available.

UPDATE TIME:
10 seconds.

CONNECTION:
Plain.

ACCURACY:
±2°F or 1°C.

RESOLUTION:
0.1°F or °C.

RECALIBRATION:
Internal potentiometer, maximum adjustment ±8°F.

AMBIENT TEMP:
-40 to 140°F (-40 to 60°C).

CASE:
ABS plastic, black (standard) or white (optional). Front panel, polycarbonate.

MOUNTING:
Surface mounts with two screws from the front.

SIZE:
4.5" W x 1.14" H x .63" D (114 x 30 x 16mm).



SOLAR DIGITAL THERMOMETER

Model No.	Description
3E0DTSB0004	Solar Digital Thermometer, Black



1967-A2 TEMPERATURE DISPLAY

- Non-corrosive stainless steel fasteners make installing in an available junction box easy.
- Easy to switch from °F to °C.
- Digital temperature probe is “plug and play,” and requires no calibration.
- 9V battery back-up with low battery indicator.
- Industrial grade polycarbonate housing won’t rust or chip.
- Bright LED display allows you to see the temperature from across the room.
- Customizable face plate allows your company name or logo to be printed on the front.
- Light switch allows you to save energy with the “on” indicator.

SPECIFICATIONS

MOUNTING:
Standard 2-1/8” deep junction box
(purchase separately).

DIMENSIONS:
2-3/4” x 4-1/2” x 1-3/8”

ELECTRICAL RATINGS:
120 VAC, 20 AMPS, 240 VAC
Available.

SWITCHING:
Single, 3-Way, and 4-Way capable.

DISPLAY:
-40°F (-40°C) to 104°F (40°C)

STANDARDS:
UL Recognized (E110724)
NSF Component
RoHS Compliant

Model No.	Description	Qty.
119670000A2	Temperature Display w/ Light Switch, 120v	10
119670000A2240	Temperature Display w/ Light Switch, 240v	10

© 2018 Kason Industries, Inc.
1218 LIT 001



1967-3 TEMPERATURE DISPLAY

- Easy to read, ultra-bright red LED display
- Changes between freezer and cooler temperature probes.
- Designed for wet and dry locations; Oversized gasket fills voids between unit and uneven surfaces.
- Easy to activate light relay with touch technology.
- Plug and play digital temperature probe included. No calibration required.
- Can be customized to have company name or logo printed on front.
- 9V battery back up with low battery indicator
- Quick installation with no connectors required

1967-A4 TEMPERATURE DISPLAY & ALARM

- Easy to read, ultra-bright blue LED display
- Plug and Play Digital Temperature Probe
- No calibration required
- Customizable face plate.
- Temperature alarms HIGH and LOW.
- Single and 3-way switch.
- Automatic Alarm Activation (AAA).
- 9V battery back up with low battery indicator

SPECIFICATIONS

MATERIAL:
Clear polycarbonate housing,
aluminum simulated polycarbonate
overlay, silicone gasket

MOUNTING:
Standard 2-1/8" deep junction box
(purchase separately), #6-32 x 3/4"
SS, oval head screws (2 provided)

ELECTRICAL RATING:
120 VAC @ 16 AMPS
240 VAC Available

NORMAL OPERATION:
(Display only)
1.5 watts/120 vac = .01 amps &
1.5 watts/240 vac = .01 (round up)
With Relay (light) on:
2.2 watts/120 vac = .02 amp &
2.2 watts/240 vac = .01 amp

DISPLAY:
-40°F (-40°C) to 104°F (40°C)

ACCURACY:
±0.5°F (0.3°C)

DIMENSIONS:
2-3/4" x 4-1/2" x 1-5/8"

STANDARDS:
NSF Component
RoHS
UL listed US and Canada (E110724)

Model No.	Description	Qty.
11967000003	Temperature Display w/ Light Switch, 120v	10
1196700000324	Temperature Display w/ Light Switch, 240v	10
11967000004	Temperature Alarm w/ Light Switch, 120v	10
11967000004240	Temperature Alarm w/ Light Switch, 240v	10



1967-5 ALARM MODULE

- Ultra-bright strobing blue LEDs.
- 100 dB audible alarm.
- 3 Alarm modes: Panic, Door Open, High/Low Temp.
- Panic and door sensor connections.
- "Cold Key," automatically sets temperature ranges.
- Alarm dialer connection.
- 2 additional module expansion hubs.
- Requires 1967-4 Temperature Alarm.

SPECIFICATIONS

MATERIAL:
Clear polycarbonate housing,
aluminum simulated polycarbonate
overlay gasket.

POWER:
9V Battery (not included)

STANDARDS:
RoHS Compliant

DIMENSIONS:
2-3/4" x 4-1/2" x 2-1/8"

MOUNTING:
Standard 2-1/8" deep junction box
(purchase seperately), #6-32 x 3/4"
SS, oval head screws (2 provided)

Model No.	Description	Qty.
11967000005	Alarm Module	5



1967-6 TOUCH MODULE

- Operates as an inside light restrike switch with night light feature, or an outside three way switch.
- Ultra-bright blue LED.
- 40 dB audible alarm.
- 3 Alarm modes: Panic, Door Open, High/Low Temp.
- Panic and door sensor connections.
- Requires 1967-4 Temperature Alarm.

SPECIFICATIONS

MATERIAL:
Clear polycarbonate housing,
aluminum simulated polycarbonate
overlay gasket.

MOUNTING:
Standard 2-1/8" deep junction
box (purchase seperately), #6-32
x 3/4" SS, oval head screws (2
provided)

DIMENSIONS:
2-3/4" x 4-1/2" x 7/8"

STANDARDS:
RoHS Compliant

Model No.	Description	Qty.
11967000006	Touch Module	5



1967-7 PANIC MODULE



- Bright red button
- Twist to release
- Requires: 1967-4 Temperature Alarm and 1967-5 Alarm Module

SPECIFICATIONS

MATERIAL:
Clear polycarbonate housing,
aluminum simulated polycarbonate
overlay gasket.

MOUNTING:
Standard 2-1/8" deep junction
box (purchase separately), #6-32
x 3/4" SS, oval head screws (2
provided)

DIMENSIONS:
2-3/4" x 4-1/2" x 2"

STANDARDS:
RoHS Compliant

Model No.	Description	Qty.
11967000007	Panic Module	1



1967-8 DOOR OPEN SENSOR



- Triggers "lights-on" when door is opened
- Monitoring sensor for door open alarm
- Double insulated wiring
- Requires: 1967000004 Temperature Alarm and 1967000005 Alarm Module or 1967000006 Touch Module

SPECIFICATIONS

MATERIAL:
White plastic

ACTIVATION DISTANCE:
1 inch

MOUNTING:
Mounting: Screws directly into door
jamb (4 screws not provided)

STANDARDS:
RoHS Compliant

Model No.	Description	Qty.
11967000008	Door Open Sensor	1
1196700000F8	Door Open Sensor	1

